

DRAWING LEGEND

- TRAFFIC MOVEMENTS - TRUCKS FULL
- TRAFFIC MOVEMENTS - TRUCKS EMPTY
- CADASTRAL BOUNDARY
- EPA INDUSTRIAL/SENSITIVE LAND USE SEPARATION DISTANCE - 500mm RADIUS
- CBH SITE BOUNDARY
- CBH RAIL LEASE BOUNDARY
- OHP --- OVERHEAD POWER LINES
- UGP --- UNDERGROUND POWER CABLES
- C --- UNDERGROUND COMMS CABLES
- UGW --- UNDERGROUND WATER PIPES
- RAIL LINE
- PROPOSED OPEN DRAINS

STORAGE CAPACITIES

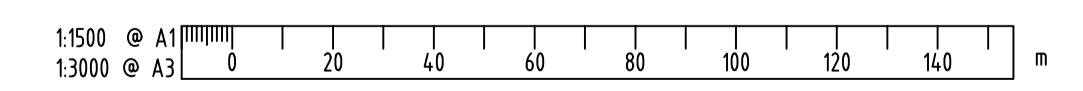
EXISTING STORAGE		
'B' TYPE STORAGE	HOR 01	5,450 t
'B' TYPE STORAGE	HOR 02	5,450 t
'X' TYPE STORAGE	(4 CELLS)	60,000 t
'S' TYPE STORAGE - CS2000	(4 CELLS)	80,000 t
ROOFED OPEN BULKHEAD	(RBH 01)	25,000 t
INT. STEEL FRAME OPEN BULKHEAD	(01)	16,000 t
INT. STEEL FRAME OPEN BULKHEAD	(02)	24,000 t
INT. STEEL FRAME OPEN BULKHEAD	(03)	24,000 t
INT. STEEL FRAME OPEN BULKHEAD	(04)	14,400 t
INT. STEEL FRAME OPEN BULKHEAD	(05)	25,545 t
INT. STEEL FRAME OPEN BULKHEAD	(06)	25,545 t
TOTAL EXISTING STORAGE		305,390 t
PROPOSED STORAGE		
1.8m INT. STEEL FRAMED OPEN BULKHEAD	(TBH 01)	19,650 t
1.8m INT. STEEL FRAMED OPEN BULKHEAD	(TBH 02)	19,650 t
TOTAL PROPOSED STORAGE		39,300 t

TOTAL SITE STORAGE 344,690 t

HATCHING LEGEND

AREA OF NEW WORKS 17,800 m²

PRELIMINARY ISSUE
DO NOT USE FOR CONSTRUCTION
DATE 20.05.21



COPYRIGHT ©
THIS DRAWING AND THE CONTENTS DEPICTED OR WRITTEN THEREON, WHETHER IN WHOLE OR IN PART, IS THE EXCLUSIVE INTELLECTUAL PROPERTY OF CBH GROUP AND SHOULD NOT BE REPRODUCED OR USED FOR ANY PURPOSE WITHOUT THE PRIOR WRITTEN APPROVAL OF CBH GROUP.
DO NOT SCALE FROM THIS DRAWING

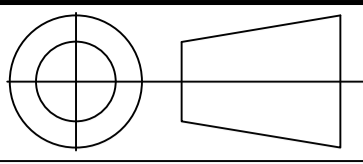


CBH GROUP
LEVEL 6
240 ST GEORGE'S TERRACE
PERTH W.A. 6000
PH (08) 9237 9600
FAX (08) 9322 3942

REF DRAWING No.	REFERENCE DRAWING TITLE	REV	DATE	REVISION DESCRIPTION	BY	CHK'D	APP'D
A		20.05.21		ISSUED AS CHECK PRINT AND FOR REVIEW	JB		

SCALE	1:1500	DRAWN	J. Butlingham	DATE	20.05.21
SHEET	A1	CHECKED		DESIGNED	
PROJECT		DESIGN APPR		PROJECT APPR	
CONTRACT No.					

TITLE	GAIRDNER PRE FEASIBILITY STUDY 2021 EMERGENCY STORAGE CONCEPTUAL LAYOUT No. 1		
DRG No.	590-ENG-CI-DCO-0002	SHEET	1 OF 1
REV.	A		



INSTALLATION NOTES:

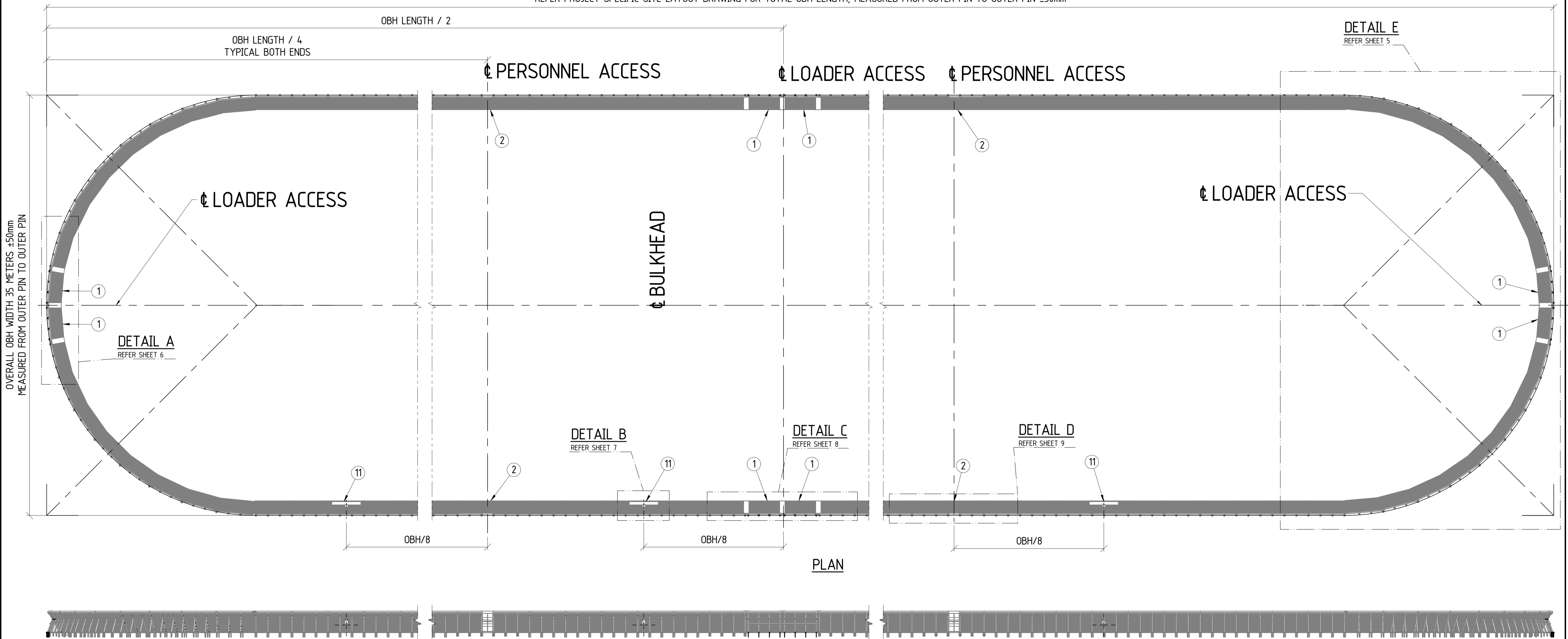
- OBH LENGTH AND WIDTH DIMENSIONS ARE SPECIFIED FROM REAR PIN TO THE OPPOSITE REAR PIN. REFER PROJECT SPECIFIC SITE LAYOUT DRAWING FOR DIMENSIONS.
- TOLERANCE FOR OVERALL OBH WIDTH AND LENGTH ARE +/- 50MM. TOLERANCE FOR FRAME SPACING +/- 10mm.
- NOTE DIFFERENT ANCHORING DETAILS FOR DOOR/GATES AND FRAMES EITHER SIDE OF BULKHEAD OPENINGS. REFER ANCHORING DETAILS ON SHEETS 2 AND 3.
- NOTE ADDITIONAL Z-CAPPING, WOOD AND CLADDING TRIMMING REQUIRED AT GATE JOINS. REFER SHEETS 6 AND 8 FOR DETAILS.
- TYPICAL CLADDING OVERLAP IS 200mm, CENTERED OVER THE CENTERLINE OF THE STRUT, FOR ALL JOINS EXCEPT AT GATE AND DOOR JOINS. REFER SHEETS 6 - 9.
- ALL Z-CAPPING MUST BE ALIGNED AS ACCURATELY AS POSSIBLE. ANY MISALIGNMENT IN Z-CAPPING WILL TEAR THE OBH TARP. REFER NOTES ON SHEETS 6, 8 AND 9 FOR TOLERANCES.
- FOUR PERSONNEL ACCESS DOORS TO BE INSTALLED AS SHOWN. TWO INSTALLED EACH SIDE AT MIDPOINTS BETWEEN END OF OBH AND CENTRE BULKHEAD OPENING.
- THREE FUMIGATION T-PIECES TO BE INSTALLED ON SAME SIDE AS ELECTRICAL CONNECTION. REFER SHEETS 1 AND 7 FOR INSTALLATION DETAILS. REFER CBH DRAWING S119-ENG-ME-DER-0001 FOR VENDOR DRAWING OF T-PIECE.
- DRAWING DEPICTS TYPICAL OBH SIZE OF 35M WIDE BY 300M LONG AND ASSOCIATED STANDARDISED REQUIRED QUANTITIES OF FUMIGATION TEES, PERSONAL ACCESS DOORS AND FRONT END LOADER ACCESS GATES. SITE SPECIFIC OBH REQUIREMENTS SHALL BE CONFIRMED WITH THE NOMINATED CBH REPRESENTATIVE PRIOR TO CONSTRUCTION.
- BULKHEAD CONTENTS ARE INTENDED TO BE FUMIGATED IN A SEALED ENVIRONMENT BY USE OF WALL CANVICON AND OVER STACK TARPS - THE CONTRACTOR SHALL MINIMISE ANY MEANS WHICH COULD DETRIMENTALLY AFFECT THE SEALING CAPABILITY, SUCH AS SHARP EDGES THAT COULD CUT TARP.

PARTS LIST (PER UNIT)

ITEM No	DESCRIPTION	WIDTH	LENGTH	QTY	CBH OR SUPPLIER PART No	PROCESS	SAP Code	MASS Kg	TO DETAIL
1	FRONT END LOADER ACCESS GATE			REFER NOTE	S119-ENG-ST-ASY-0034	FIELD FIT	N/A	184.4	Yes
2	PERSONNEL ACCESS DOOR			REFER NOTE	S119-ENG-ST-ASY-0017	FITTING	N/A	17.1	Yes
3	STRAIGHT PIN STRUT ASSEMBLY			REFER NOTE	S119-ENG-ST-ASY-0004	FITTING	N/A	36.4	Yes
4	SPIRAL PIN STRUT ASSEMBLY			REFER NOTE	S119-ENG-ST-ASY-0005	FITTING	N/A	36.2	Yes
5	CUSTOM ORB ZINC ALUME 0.42mm BMT 550 MPa MIN. (YIELD)	762	3200	REFER NOTE	S119-ENG-ST-PRT-0010	FITTING	DREQ	1.3	No
6	DIA 20 STRAIGHT PIN ANCHOR		420	REFER NOTE	S-014-A0000	FIELD KIT	DREQ	1.1	Yes
7	SPIRAL PIN ANCHOR		300	REFER NOTE	S119-ENG-ST-DER-0052	FITTING	DREQ	0.8	Yes
8	Z CAPPING 1.6PL PGI	300	3000	REFER NOTE	S119-ENG-ST-PRT-0011	FAB SHEET	108015	11.4	Yes
9	TIMBER SAWN KARRI STRUC3 75mmx50mmx3m	75	3000	REFER NOTE	S119-ENG-ST-PRT-0014	FITTING	108594	6.2	No
10	TARP CLAMP 6PL	130	257	REFER NOTE	S119-ENG-ST-PRT-0012	FAB PROFILE	107901	1.6	Yes
11	FUMIGATION TEE PIECE			REFER NOTE	S119-ENG-ME-DER-0001	FITTING	N/A		Yes
12	RUBBER STRIP 450mm WIDE, 8mm THICK	450	2050	REFER NOTE	S119-ENG-ST-PRT-0048	FIELD KIT	DREQ	6.9	No
13	M10 x 120 GALV BOLT GR8.8 (50mm THREAD Min.)			REFER NOTE		FIELD KIT	DREQ	0.1	No
14	M10 GALV. NUT			REFER NOTE		FIELD KIT	DREQ	0.0	No
15	M10 GALV FW			REFER NOTE		FIELD KIT	DREQ	0.0	No
16	METAL TEK SCREW, HEX HEAD, 14g-20x22mm, CLASS 4, WITH SEAL			REFER NOTE		FIELD KIT	DREQ	0.0	No
17	METAL TEK SCREW, HEX HEAD, 14g-20x45mm, CLASS 4, WITH SEAL			REFER NOTE		FIELD KIT	DREQ		No
18	NOVALAST LTM 151			REFER NOTE		FIELD KIT	DREQ		No
19	BOSTIK SEAL AND FLEX 1			REFER NOTE		FIELD KIT	DREQ		No

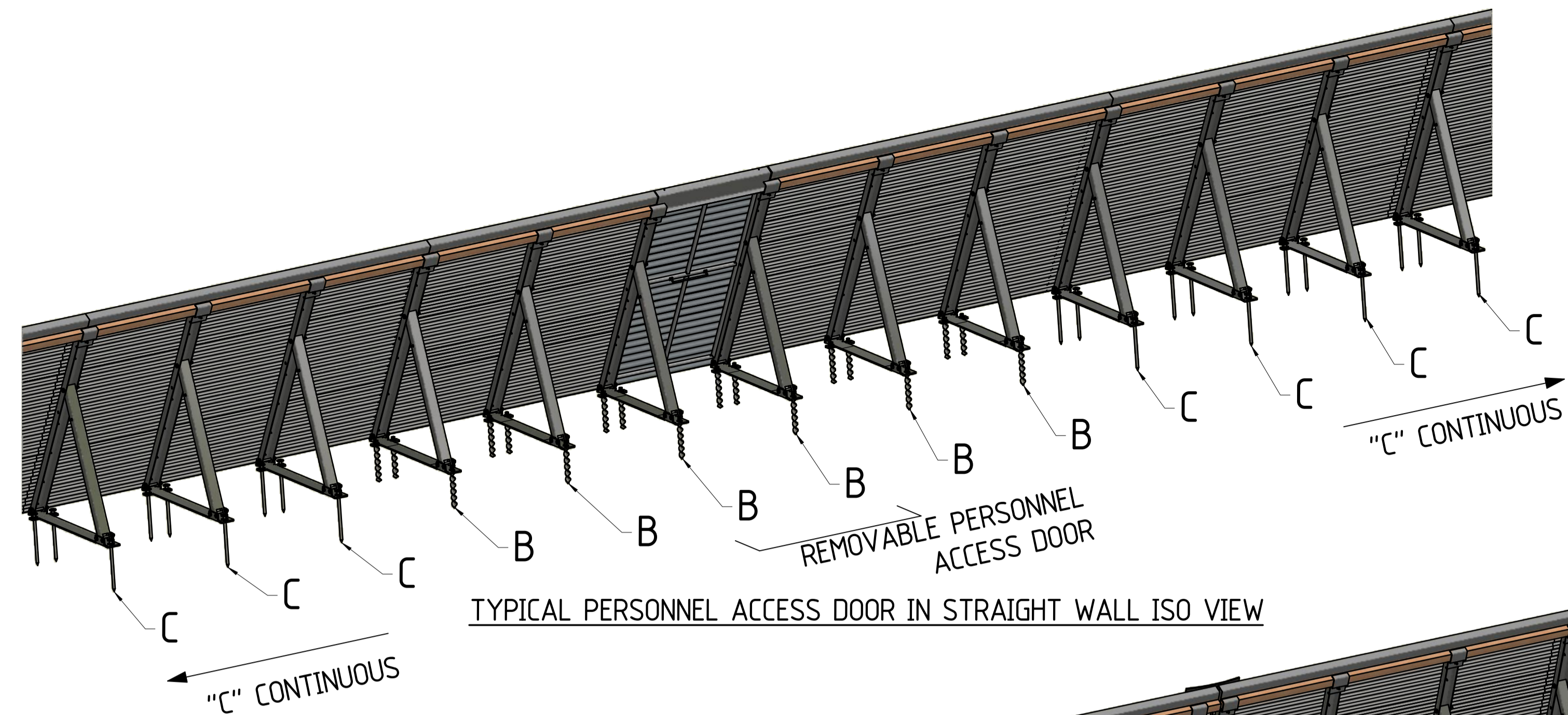
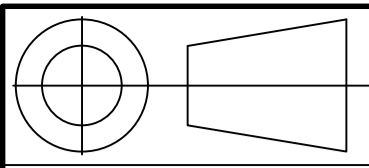
**** QTY NOTE: TO CALCULATE EXACT ORDER QUANTITIES, REFER TO THE 'CBH OBH PROCUREMENT CALCULATOR'-S119-ENG-ST-CAL-0001**

REFER PROJECT SPECIFIC SITE LAYOUT DRAWING FOR TOTAL OBH LENGTH, MEASURED FROM OUTER PIN TO OUTER PIN ±50mm

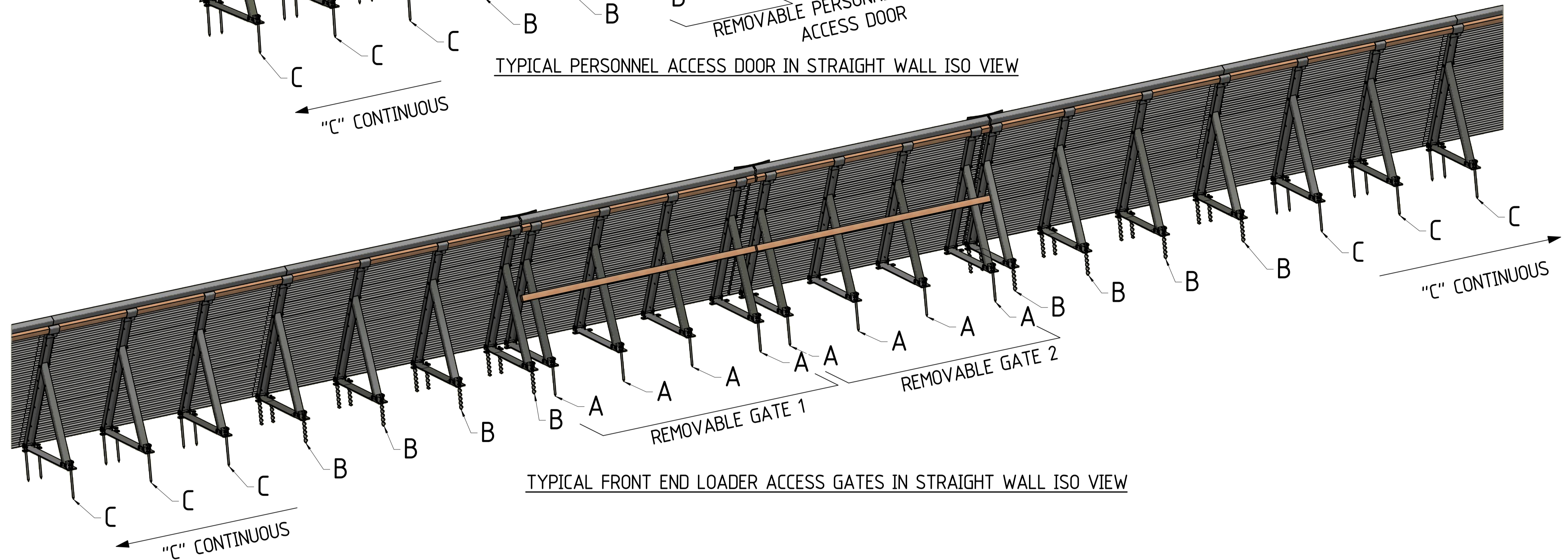


S119-ENG-ST-DGA-0003

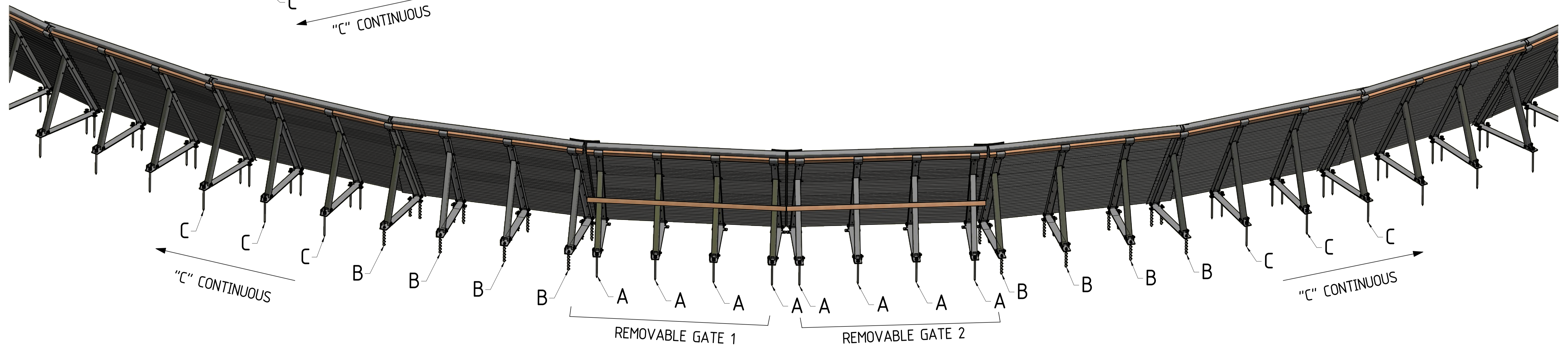
COPYRIGHT THIS DRAWING AND THE CONTENTS DEPICTED OR WRITTEN THEREON, WHETHER IN WHOLE OR IN PART, IS THE EXCLUSIVE INTELLECTUAL PROPERTY OF CBH GROUP AND SHOULD NOT BE USED FOR ANY PURPOSE WITHOUT THE EXPRESS WRITTEN APPROVAL OF CBH GROUP.		CBH GROUP HEAD OFFICE LEVEL 6, 240 ST GEORGES TERRACE, PERTH W.A 6000 PH (08) 9237 9600 FAX (08) 9322 3942	0 10/06/2020 COPIED FROM S-119, ISSUED FOR CONSTRUCTION										DRAWN SCR 10/06/2020 CHECKED LS 10/06/2020 ENGINEER BC 11/06/2020 APPROVED NH 11/06/2020	DRAWING TITLE 1.8m OPEN BULK HEAD GENERAL ARRANGEMENT OVERALL LAYOUT	SITE VARIOUS PROJECT STANDARD DRAWING No S119-ENG-ST-DGA-0003 SHEET 1 OF 9	SIZE A1 REV. 0
		DO NOT SCALE FROM THIS DRAWING	REF DRG No. REFERENCE DRAWING TITLE REV DATE REVISIONS BY CHK APP REV DATE REVISIONS BY CHK APP APPROVED	DRAWING No S119-ENG-ST-DGA-0003 SHEET 1 OF 9	SIZE A1 REV. 0											



TYPICAL PERSONNEL ACCESS DOOR IN STRAIGHT WALL ISO VIEW



TYPICAL FRONT END LOADER ACCESS GATES IN STRAIGHT WALL ISO VIEW



TYPICAL FRONT END LOADER ACCESS GATES IN CURVED WALL ISO VIEW

COPYRIGHT
THIS DRAWING AND THE
CONTENTS DEPICTED OR WRITTEN
THEREON, WHETHER IN WHOLE OR IN
PART, IS THE EXCLUSIVE INTELLECTUAL
PROPERTY OF CBH GROUP AND
SHOULD NOT BE USED FOR ANY PURPOSE
WITHOUT THE EXPRESS WRITTEN
APPROVAL OF CBH GROUP.



CBH GROUP HEAD OFFICE
LEVEL 6, 240 ST GEORGES TERRACE,
PERTH W.A 6000
PH (08) 9237 9600 FAX (08) 9322 3942

REF DRG No.	REFERENCE DRAWING TITLE	REV	DATE	REVISIONS	BY	CHK	APP	REV	DATE	REVISIONS	BY	CHK	APP	REV	DATE	REVISIONS

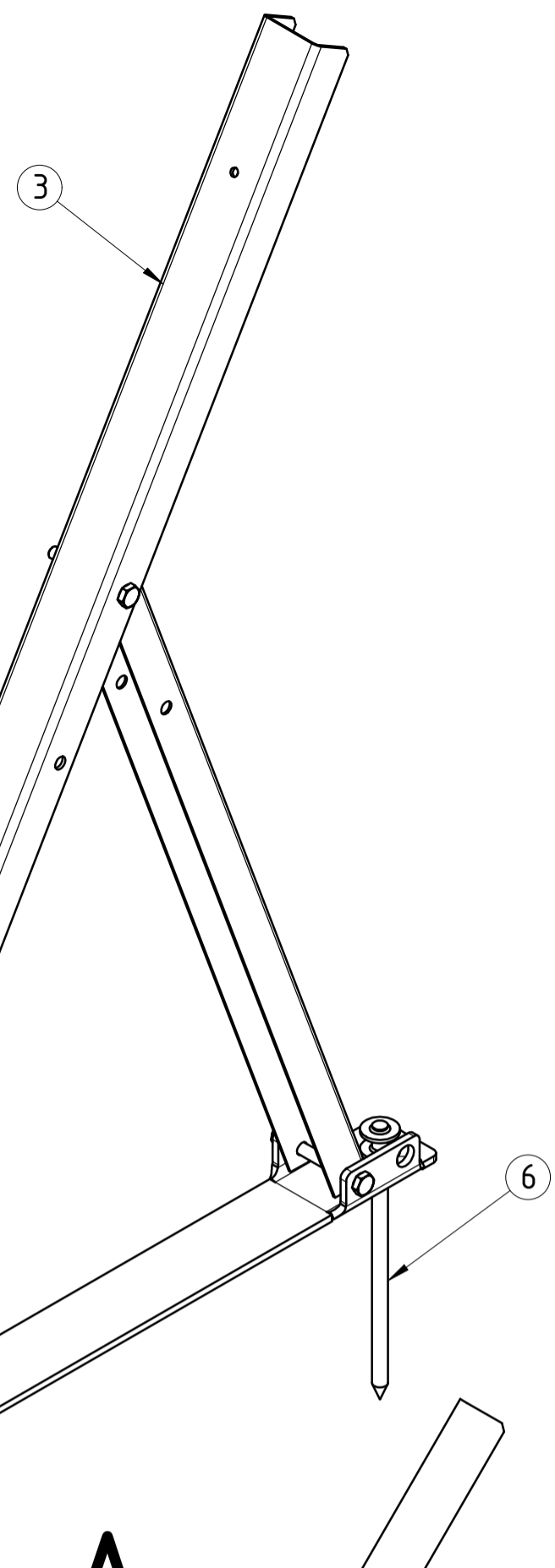
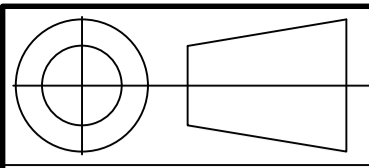
DRAWN	SCR	10/06/2020
CHECKED	LS	10/06/2020
ENGINEER	BC	11/06/2020
APPROVED	NH	11/06/2020

DRAWING TITLE
1.8m OPEN BULK HEAD
GENERAL ARRANGEMENT
ANCHORINGS LAYOUT

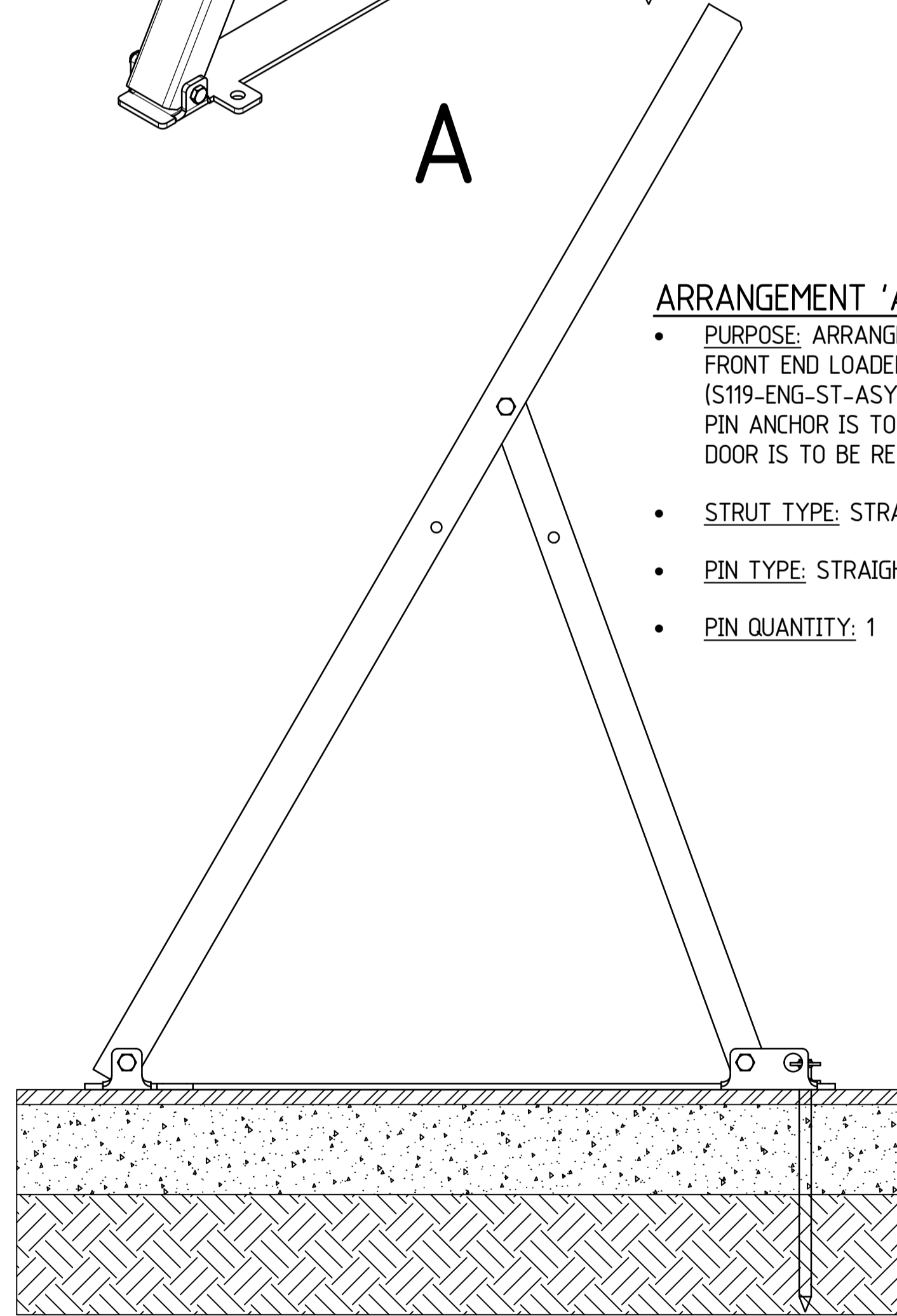
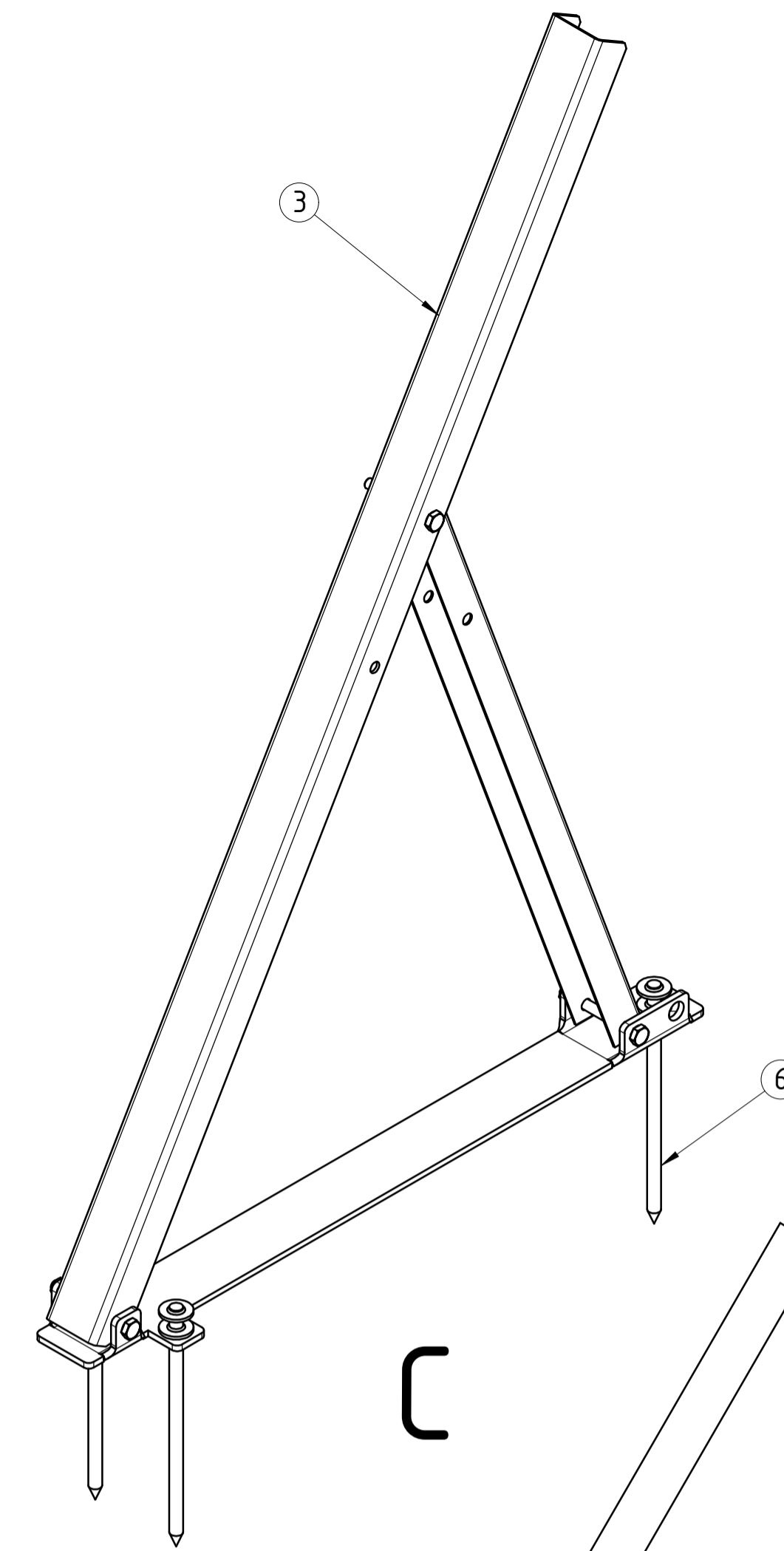
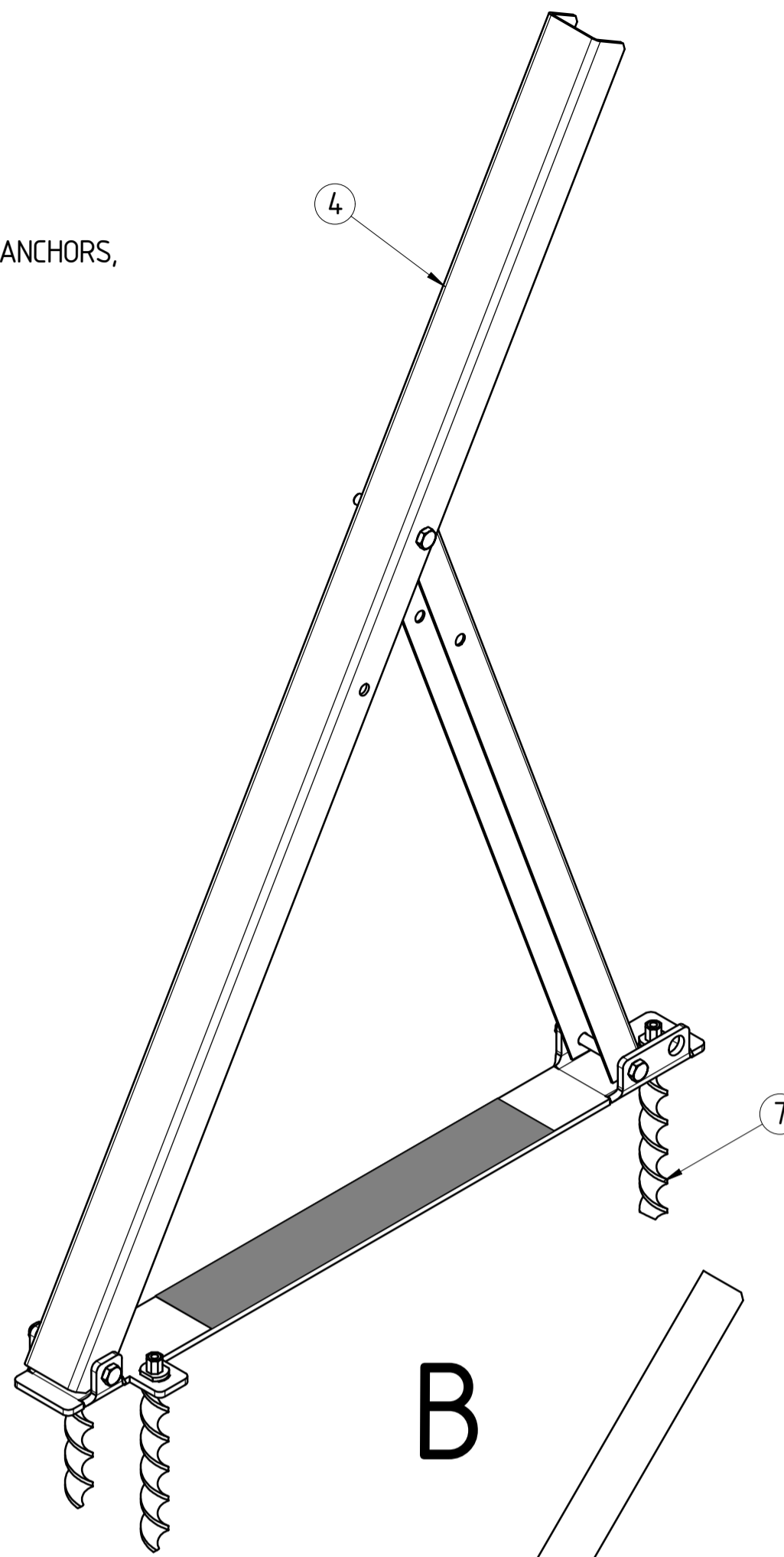
SITE	VARIOUS	SIZE	A1
PROJECT	STANDARD		
DRAWING No	S119-ENG-ST-DGA-0003	SHEET	2 OF 9
REV.	0		

DO NOT SCALE FROM THIS DRAWING

0 10/06/2020 COPIED FROM S-119, ISSUED FOR CONSTRUCTION

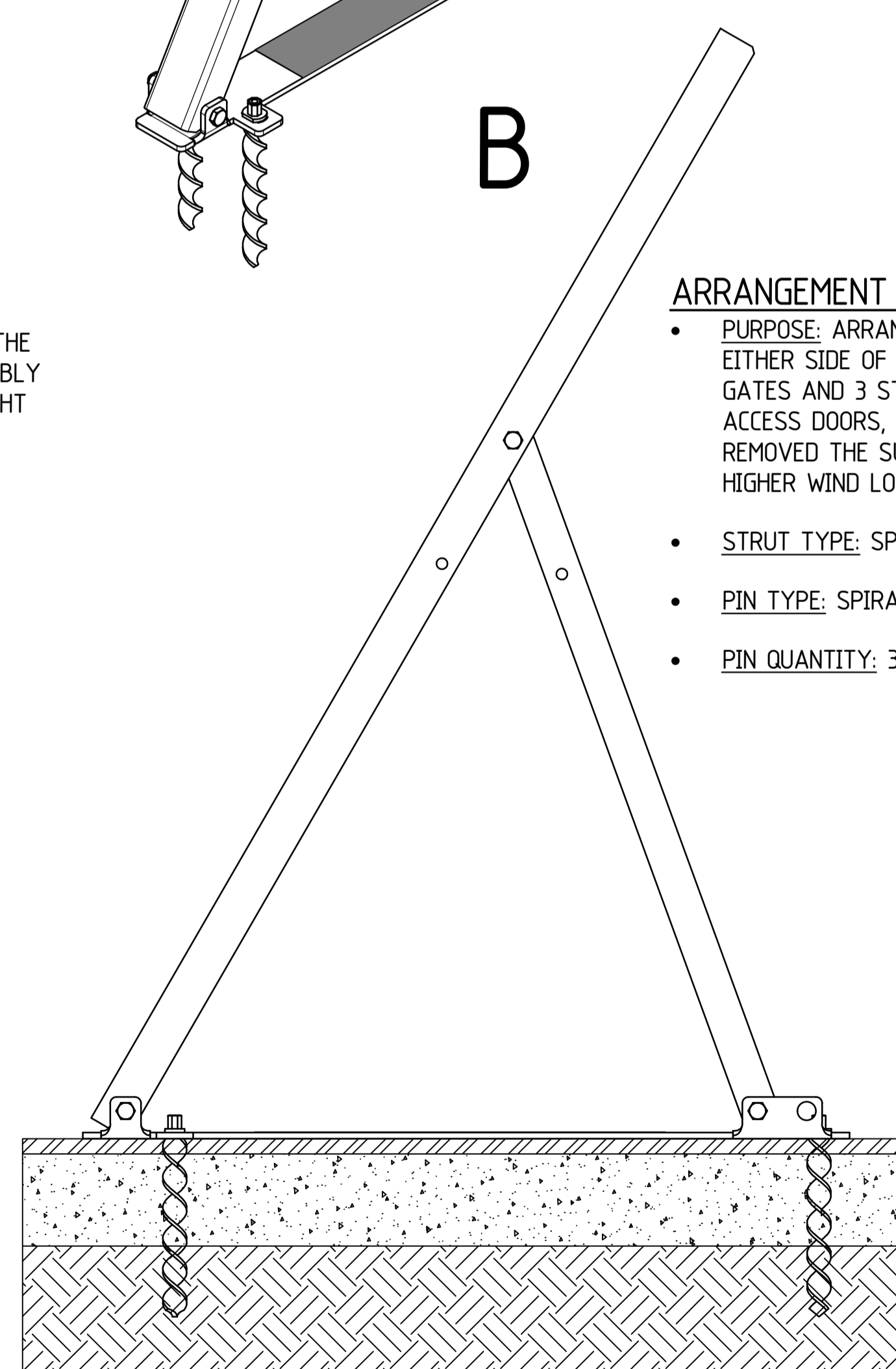


NOTES:
REMOVAL TOOL REQUIRED FOR SPIRIFIX ANCHORS,
M22 SPANNER/SOCKET,
HANDLE LENGTH TO SUIT CONDITIONS.



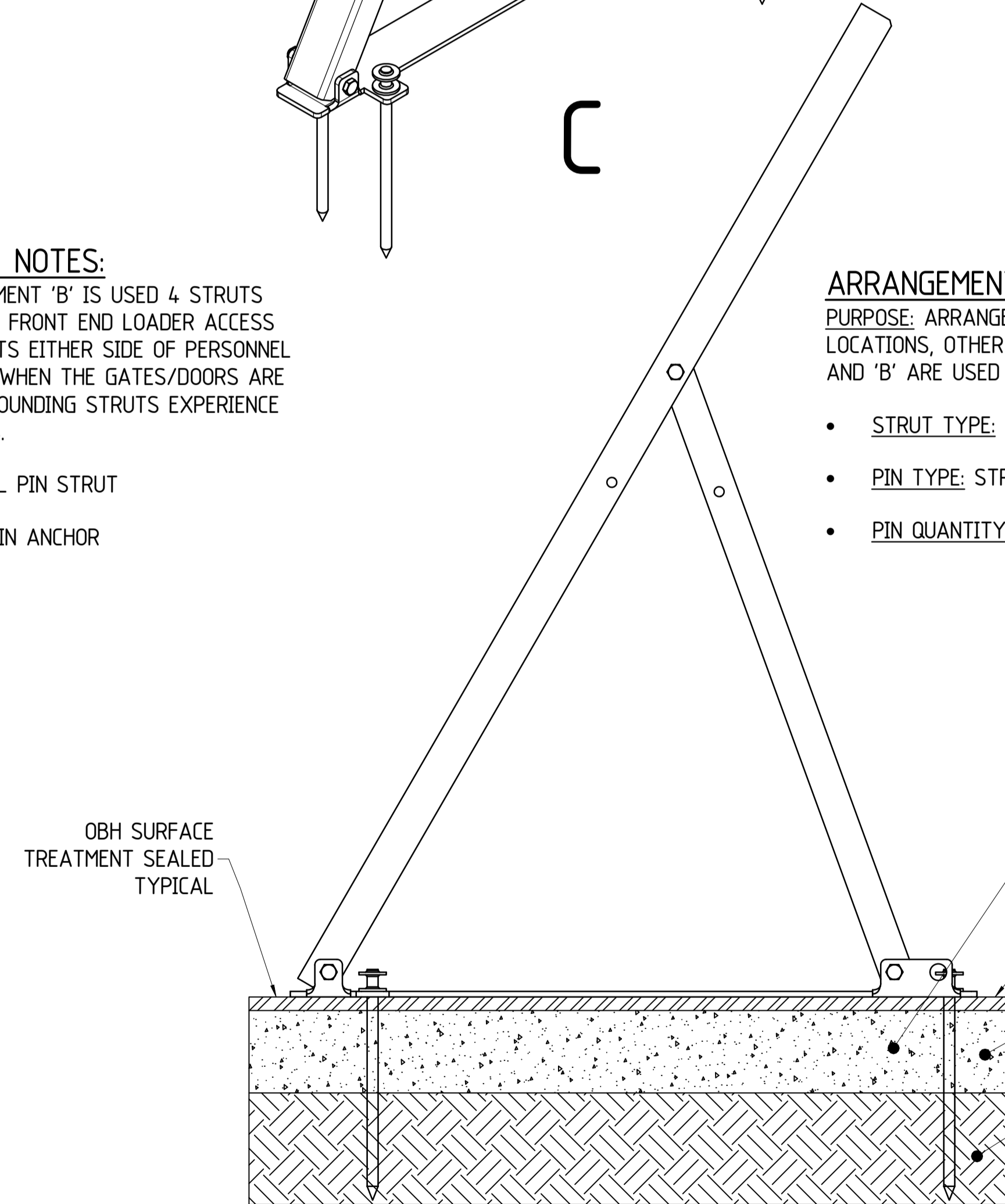
ARRANGEMENT 'A' NOTES:

- **PURPOSE:** ARRANGEMENT 'A' IS USED IN THE FRONT END LOADER ACCESS GATE ASSEMBLY (S119-ENG-ST-ASY-0034). ONLY 1 STRAIGHT PIN ANCHOR IS TO BE INSTALLED AS THE DOOR IS TO BE REMOVABLE.
- **STRUT TYPE:** STRAIGHT PIN STRUT
- **PIN TYPE:** STRAIGHT PIN ANCHOR
- **PIN QUANTITY:** 1



ARRANGEMENT 'B' NOTES:

- **PURPOSE:** ARRANGEMENT 'B' IS USED 4 STRUTS EITHER SIDE OF THE FRONT END LOADER ACCESS GATES AND 3 STRUTS EITHER SIDE OF PERSONNEL ACCESS DOORS, AS WHEN THE GATES/DOORS ARE REMOVED THE SURROUNDING STRUTS EXPERIENCE HIGHER WIND LOADS.
- **STRUT TYPE:** SPIRAL PIN STRUT
- **PIN TYPE:** SPIRAL PIN ANCHOR
- **PIN QUANTITY:** 3



ARRANGEMENT 'C' NOTES:

- **PURPOSE:** ARRANGEMENT 'C' IS USED IN ALL LOCATIONS, OTHER THAN WHERE ARRANGEMENT 'A' AND 'B' ARE USED
- **STRUT TYPE:** STRAIGHT PIN STRUT
- **PIN TYPE:** STRAIGHT PIN ANCHOR
- **PIN QUANTITY:** 3

OBH SURFACE TREATMENT SEALED TYPICAL

REFER TO STANDARD CIVIL DRAWING S000-ENG-CI-STD-0002 FOR TYPICAL CIVIL SPECIFICATION

SEALED ROAD TYPICAL

CEMENT STABILISED SOIL TYPICAL

COMPACTED SOIL TYPICAL

A

B

C

COPYRIGHT
THIS DRAWING AND THE
CONTENTS DEPICTED OR WRITTEN
THEREON, WHETHER IN WHOLE OR IN
PART, IS THE EXCLUSIVE INTELLECTUAL
PROPERTY OF CBH GROUP AND
SHOULD NOT BE USED FOR ANY PURPOSE
WITHOUT THE EXPRESS WRITTEN
APPROVAL OF CBH GROUP.



CBH GROUP HEAD OFFICE
LEVEL 6, 240 ST GEORGES TERRACE,
PERTH W.A 6000
PH (08) 9237 9600 FAX (08) 9322 3942

DO NOT SCALE FROM THIS DRAWING

REF DRG No.

REFERENCE DRAWING TITLE

REV DATE

REVISIONS

BY CHK APP

REV DATE

REVISIONS

BY CHK APP

APPROVED NH 11/06/2020

DRAWN SCR 10/06/2020

CHECKED LS 10/06/2020

ENGINEER BC 11/06/2020

APPROVED NH 11/06/2020

DRAWING TITLE
1.8m OPEN BULK HEAD
GENERAL ARRANGEMENT
TYPICAL ANCHORINGS

SITE
VARIOUS

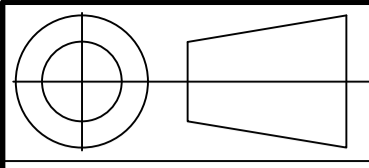
PROJECT
STANDARD

DRAWING No
S119-ENG-ST-DGA-0003

SHEET
3 OF 9

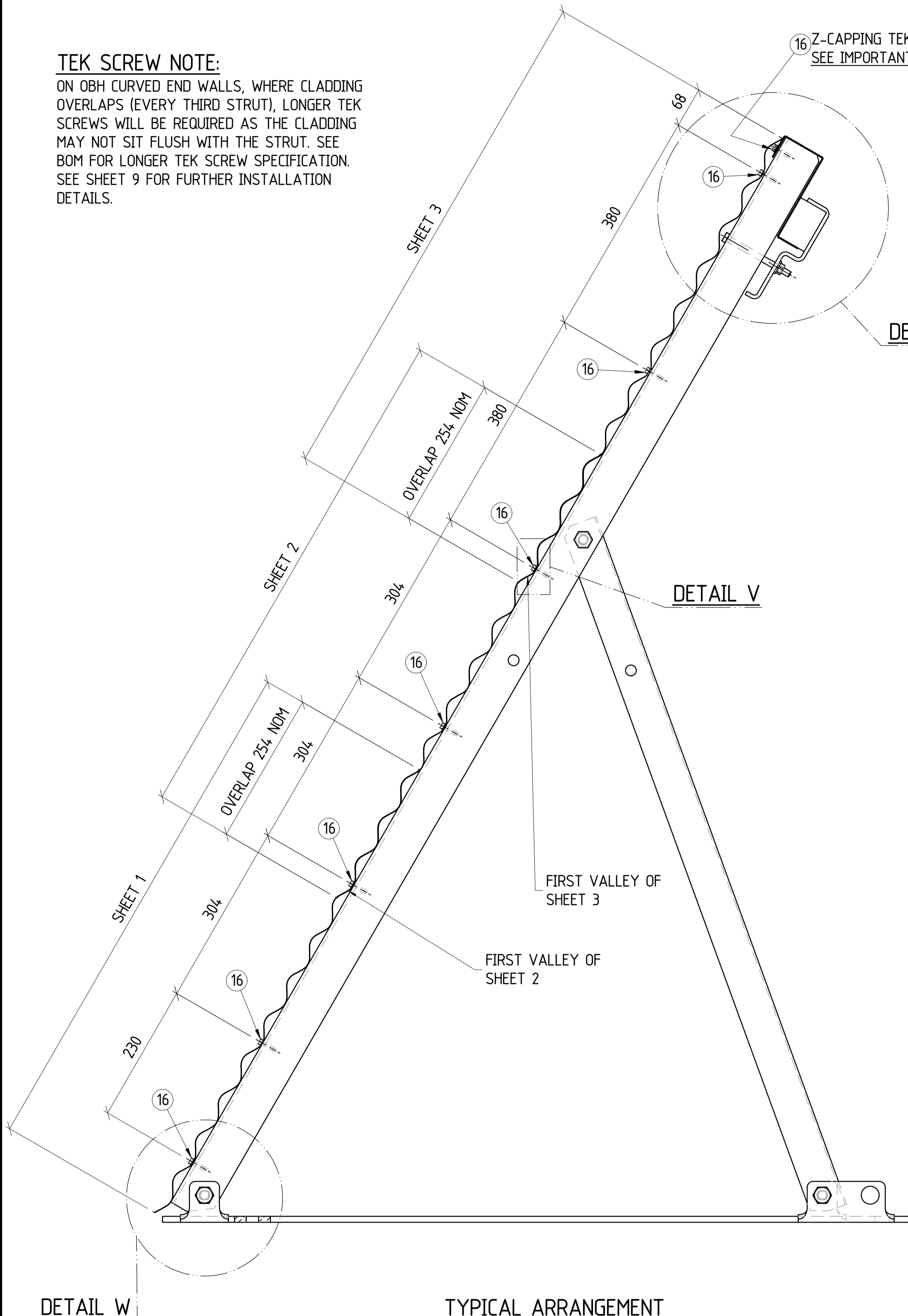
REV.
0

SIZE
A1

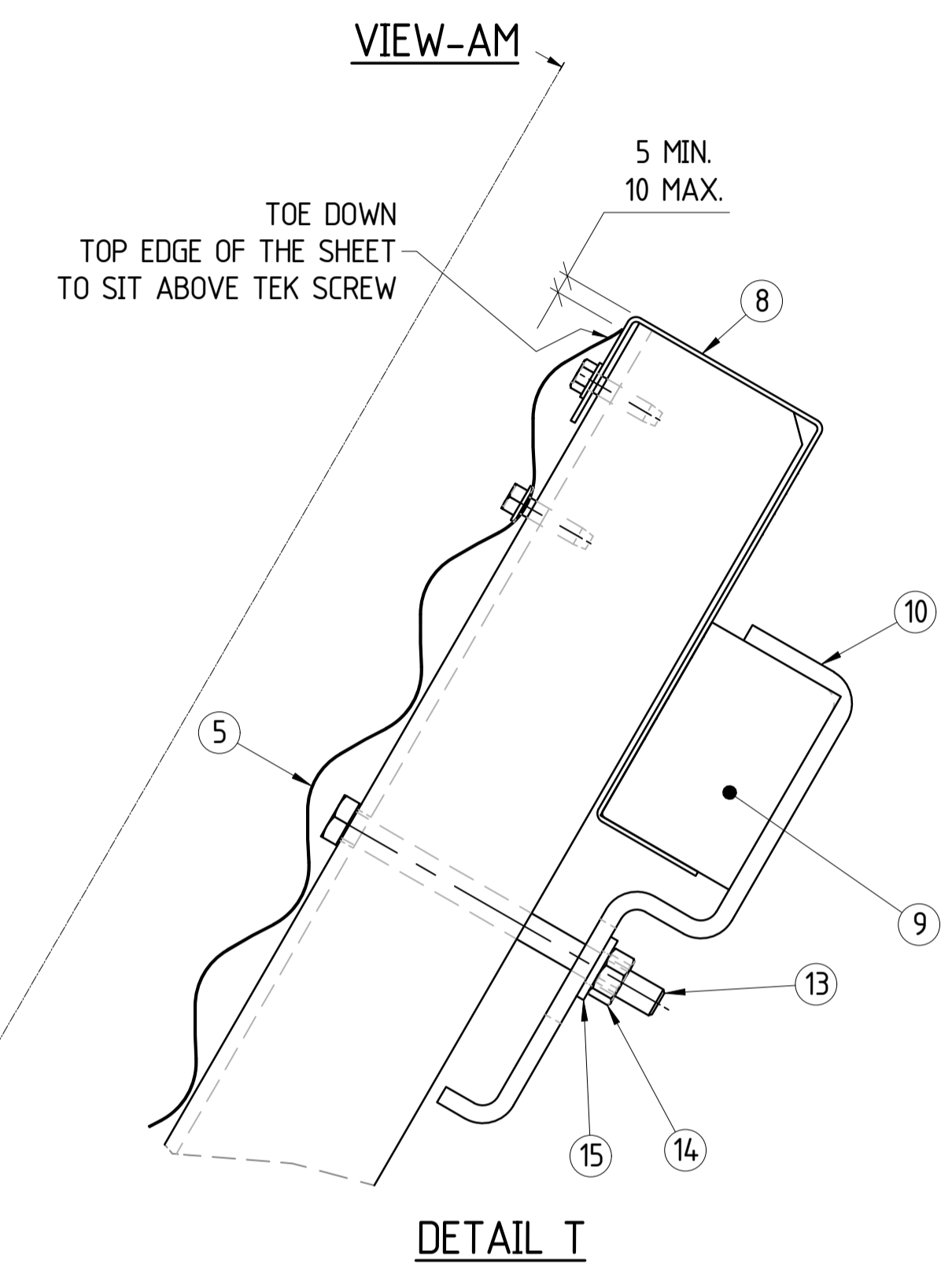


TEK SCREW NOTE:

ON OBH CURVED END WALLS, WHERE CLADDING OVERLAPS (EVERY THIRD STRUT), LONGER TEK SCREWS WILL BE REQUIRED AS THE CLADDING MAY NOT SIT FLUSH WITH THE STRUT. SEE BOM FOR LONGER TEK SCREW SPECIFICATION. SEE SHEET 9 FOR FURTHER INSTALLATION DETAILS.



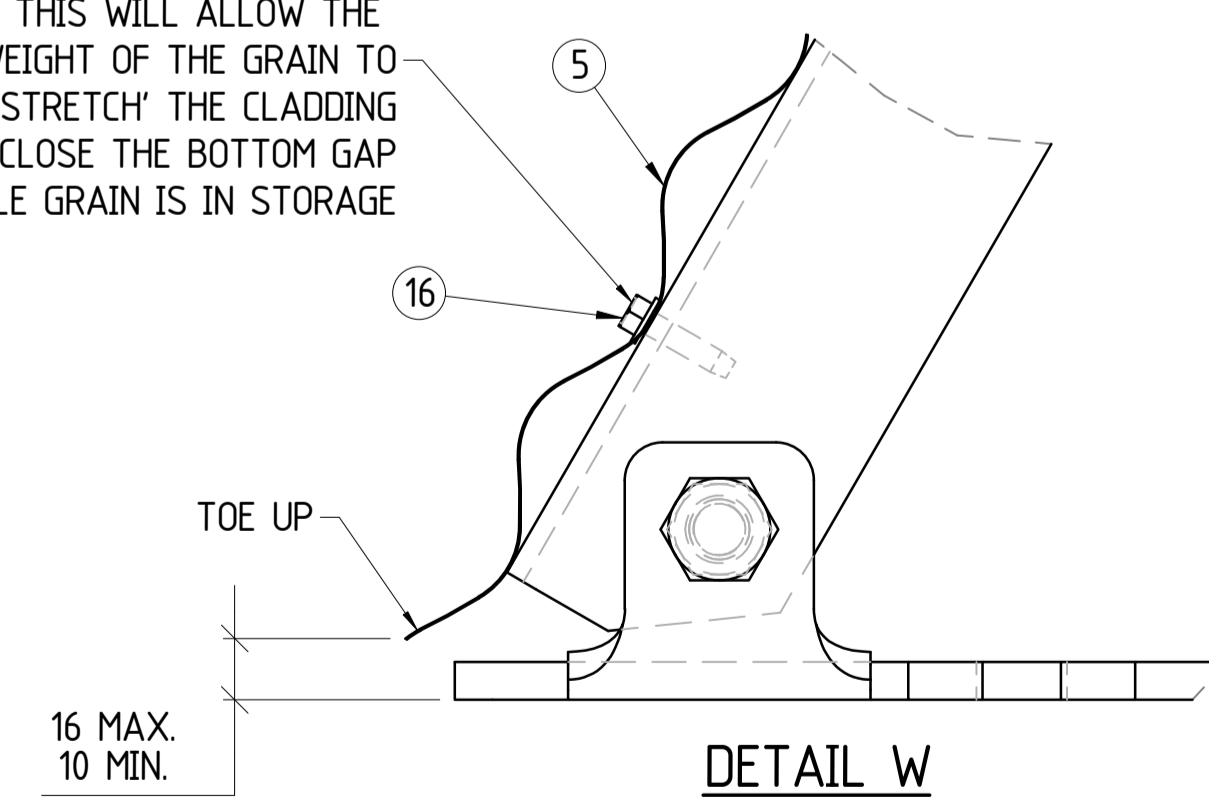
DETAIL T



VIEW-AM

DETAIL T

PLACE THE BOTTOM TEK SCREW IN THE SECOND CORRUGATION AS THIS WILL ALLOW THE WEIGHT OF THE GRAIN TO 'STRETCH' THE CLADDING AND CLOSE THE BOTTOM GAP WHILE GRAIN IS IN STORAGE

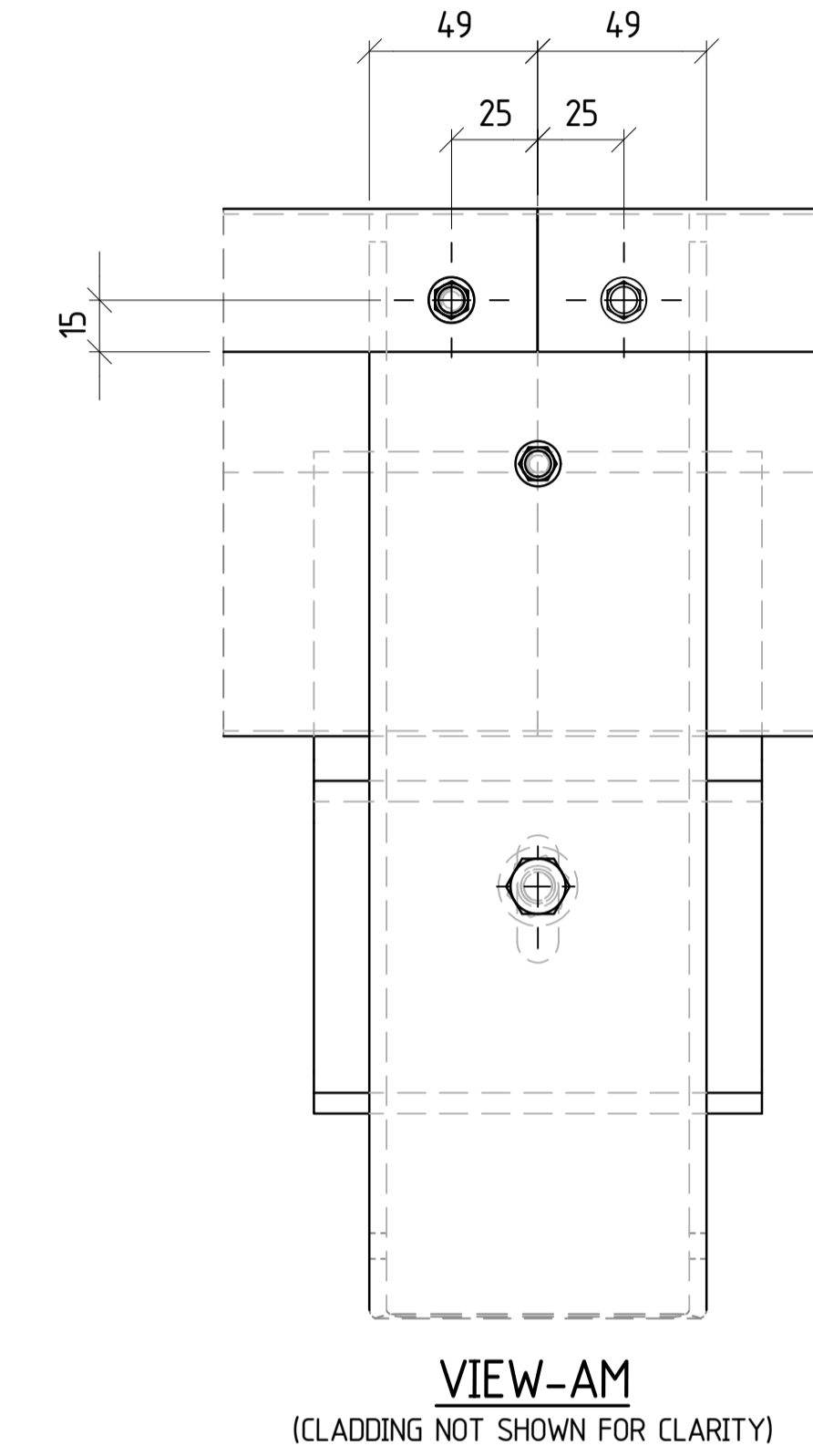


DETAIL W

IMPORTANT NOTE:

TYPICAL ALL JOINTS, EXCEPT DOOR/GATE JOINTS:

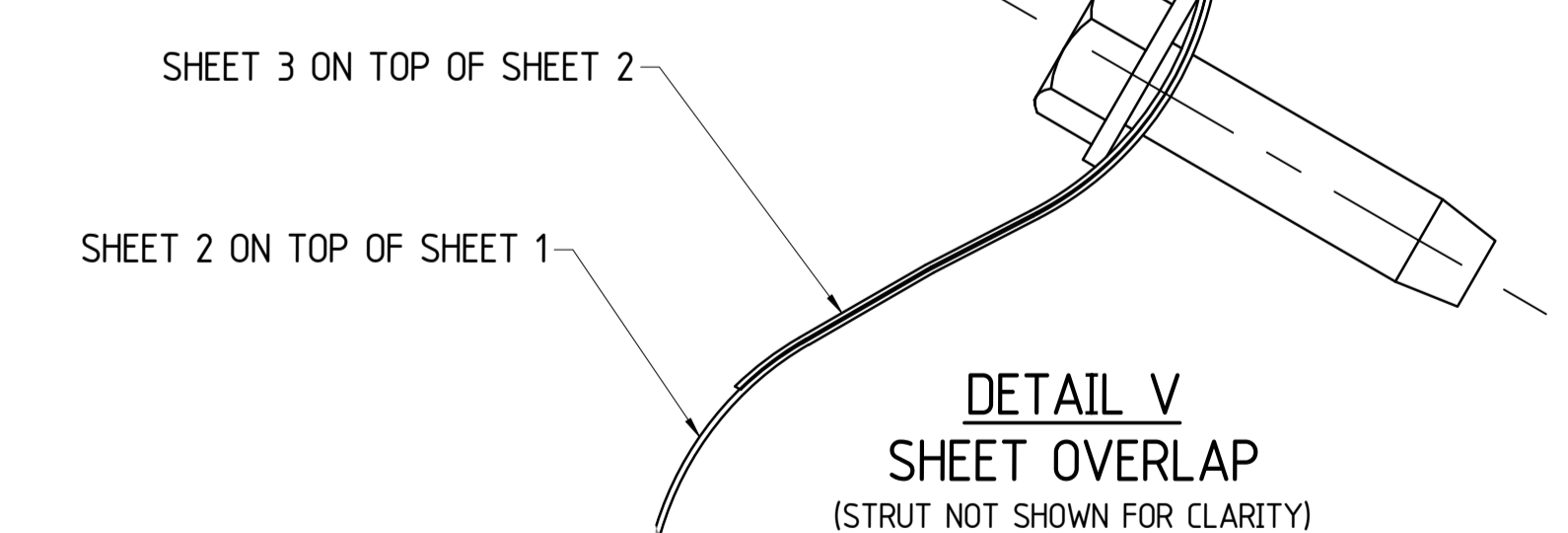
- 'Z' CAPPING SHALL BUTT JOIN TO THE CENTRE LINE OF THE STRUT.
- ALL Z CAPPING MUST BE ALIGNED AS ACCURATELY AS POSSIBLE. ANY MIS-ALIGNMENT IN THE 'Z' CAPPING WILL CREATE SHARP EDGES, WHICH MAY DAMAGE THE OBH TARP. MAXIMUM 'Z' CAPPING MISALIGNMENT TO BE 2mm IN ALL DIRECTIONS.
- WHERE 'Z' CAPPING BUTT JOINS OVER A STRUT, FIX 'Z' CAP WITH 2 x TEK SCREWS, ONE IN EACH 'Z' CAP (SHOWN BELOW)
- WHERE 'Z' CAPPING PASSES OVER A STRUT, FIX 'Z' CAP WITH 1 x TEK SCREW, INLINE WITH THE CENTRE OF THE STRUT.



VIEW-AM

(CLADDING NOT SHOWN FOR CLARITY)

- SHEET 2 & 3 OVERLAP - TEK SCREW TO BE FIXED IN THE FIRST VALLEY OF SHEET 3
- SHEET 1 & 2 OVERLAP - TEK SCREW TO BE FIXED IN THE FIRST VALLEY OF SHEET 2



DETAIL V SHEET OVERLAP
(STRUT NOT SHOWN FOR CLARITY)

COPYRIGHT
THIS DRAWING AND THE CONTENTS DEPICTED OR WRITTEN THEREON, WHETHER IN WHOLE OR IN PART, IS THE EXCLUSIVE INTELLECTUAL PROPERTY OF CBH GROUP AND SHOULD NOT BE USED FOR ANY PURPOSE WITHOUT THE EXPRESS WRITTEN APPROVAL OF CBH GROUP.

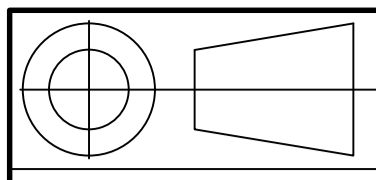
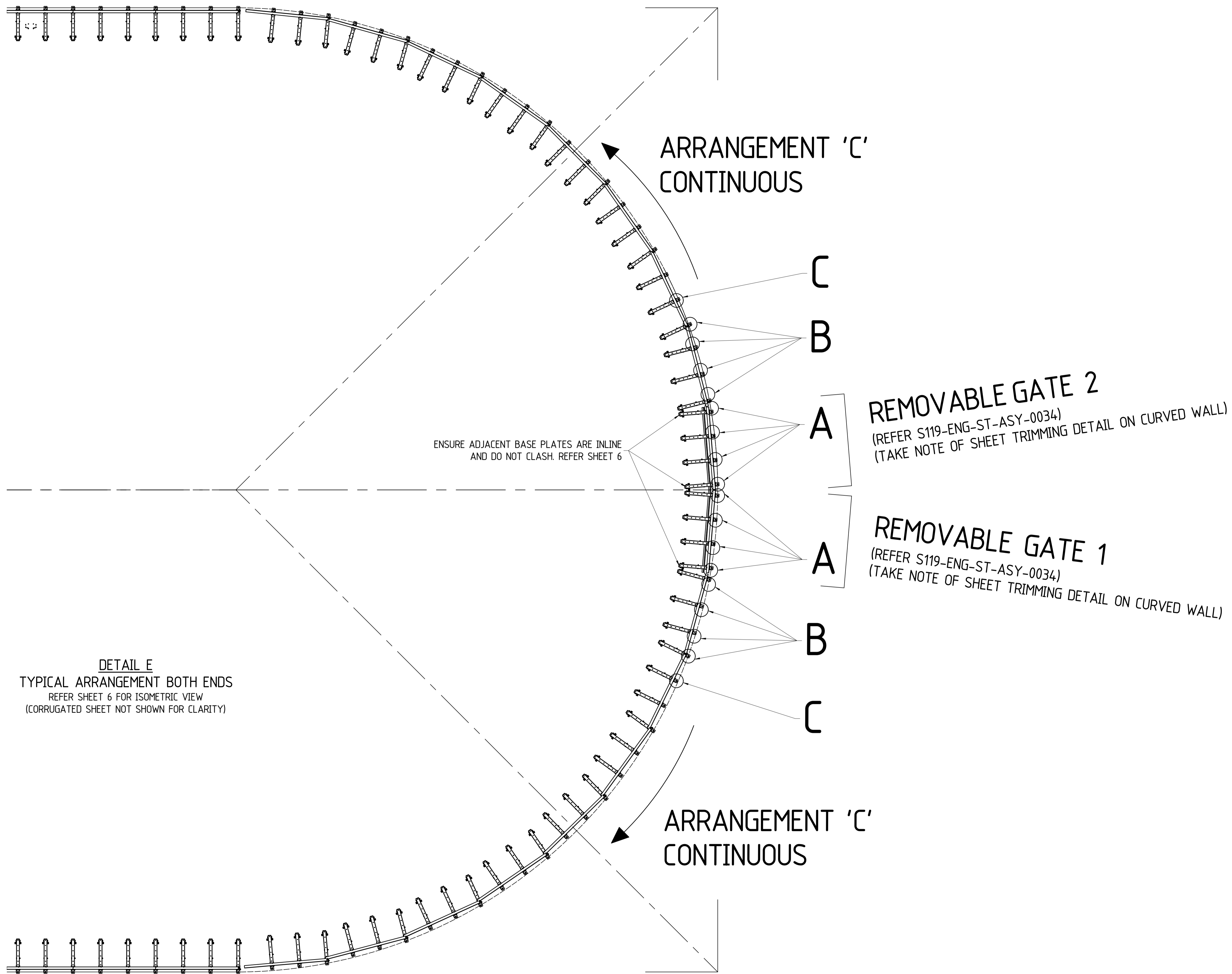


CBH GROUP HEAD OFFICE
LEVEL 6, 240 ST GEORGES TERRACE,
PERTH W.A 6000
PH (08) 9237 9600 FAX (08) 9322 3942

REF	DRG No.	REFERENCE DRAWING TITLE	REV	DATE	REVISIONS	BY	CHK	APP	REV	DATE	REVISIONS	BY	CHK	APP	APPROVED
0				10/06/2020	COPIED FROM S-119, ISSUED FOR CONSTRUCTION	SCR	LS	NH							NH

DRAWN	SCR 10/06/2020	DRAWING TITLE	1.8m OPEN BULK HEAD GENERAL ARRANGEMENT TYPICAL WALL ASSEMBLY
CHECKED	LS 10/06/2020	PROJECT	STANDARD
ENGINEER	BC 11/06/2020	DRAWING No	S119-ENG-ST-DGA-0003
APPROVED	NH 11/06/2020	SHEET	4 OF 9

SITE	VARIOUS	SIZE	A1
PROJECT	STANDARD		
DRAWING No	S119-ENG-ST-DGA-0003	SHEET	4 OF 9
REV.			0



COPYRIGHT
THIS DRAWING AND THE
CONTENTS DEPICTED OR WRITTEN
THEREON, WHETHER IN WHOLE OR IN
PART, IS THE EXCLUSIVE INTELLECTUAL
PROPERTY OF CBH GROUP AND
SHOULD NOT BE USED FOR ANY PURPOSE
WITHOUT THE EXPRESS WRITTEN
APPROVAL OF CBH GROUP.



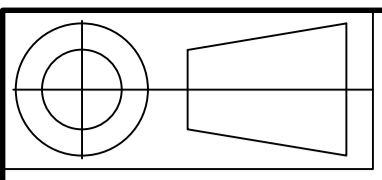
CBH GROUP HEAD OFFICE
LEVEL 6, 240 ST GEORGES TERRACE,
PERTH W.A 6000
PH (08) 9237 9600 FAX (08) 9322 3942

REF DRG No.	REFERENCE DRAWING TITLE	REV	DATE	REVISIONS	BY	CHK	APP	REV	DATE	REVISIONS	BY	CHK	APP	APPROVED
		0	10/06/2020	COPIED FROM S-119, ISSUED FOR CONSTRUCTION				SCR	LS	NH				NH 11/06/2020

DRAWN	SCR 10/06/2020	DRAWING TITLE	1.8m OPEN BULK HEAD GENERAL ARRANGEMENT TYPICAL CURVED END WALL LAYOUT
CHECKED	LS 10/06/2020		
ENGINEER	BC 11/06/2020		
APPROVED	NH 11/06/2020		

SITE	VARIOUS	SIZE	A1
PROJECT	STANDARD		
DRAWING No	S119-ENG-ST-DGA-0003	SHEET	5 OF 9
REV.			0

DO NOT SCALE FROM THIS DRAWING

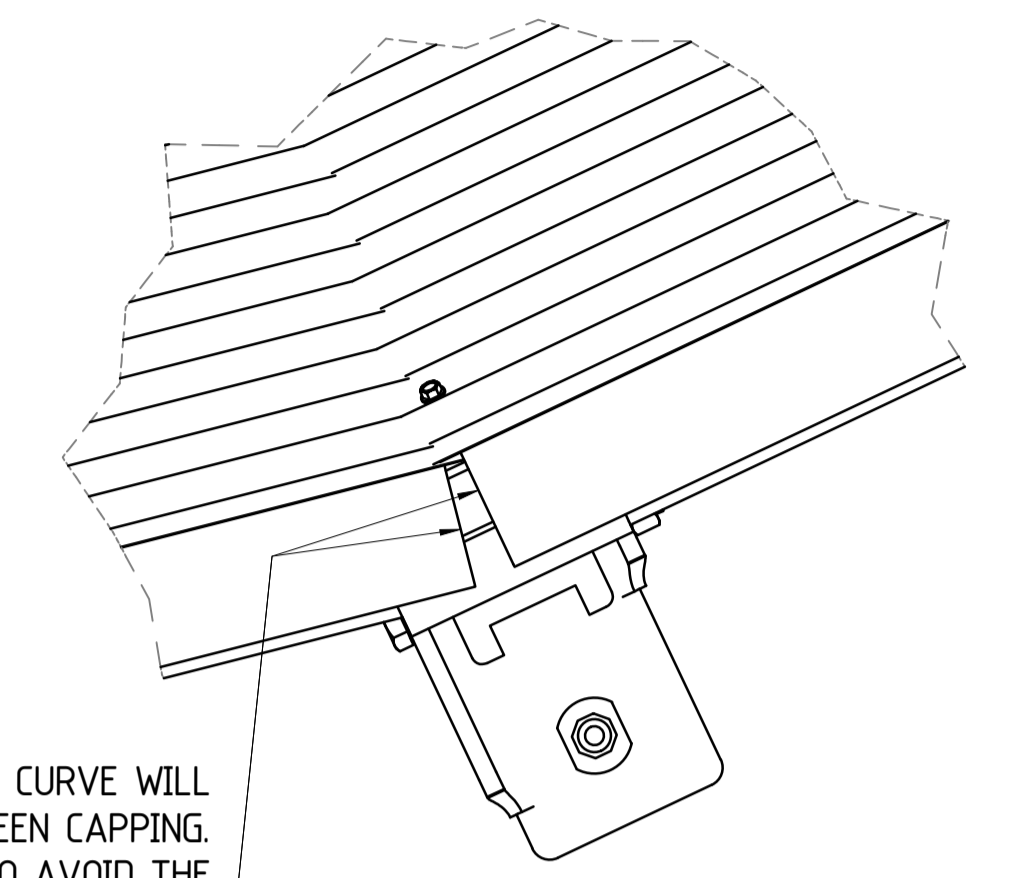
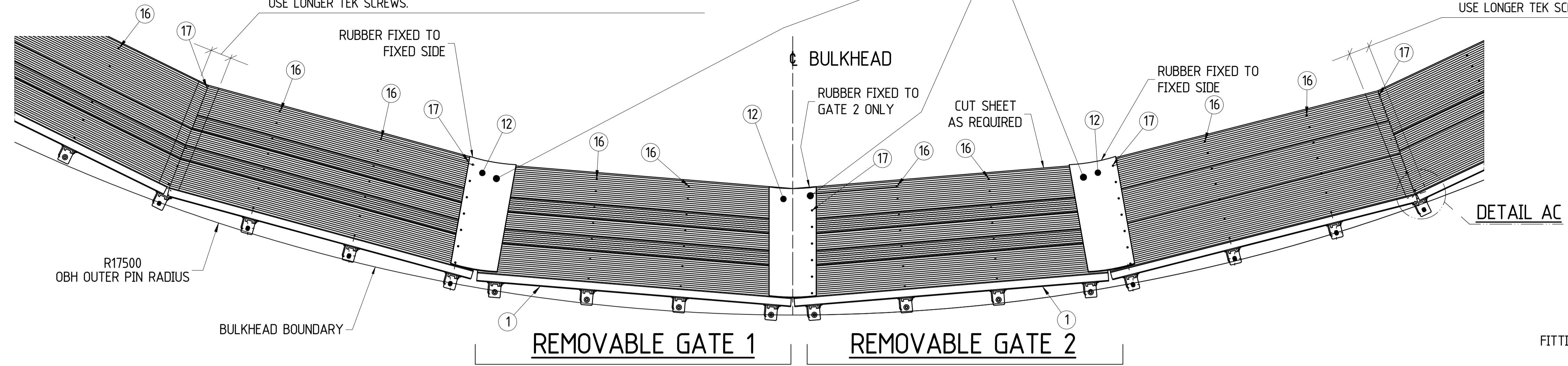


- 200 CLADDING OVERLAP, CENTERED OVER THE CENTRELINE OF THE STRUT
TYPICAL ALL CLADDING, EXCEPT OBH GATE/DOOR JOINS
- ON CURVED ENDS, WHERE CLADDING OVERLAPS,
USE LONGER TEK SCREWS.

TYPICAL RUBBER FIXINGS, BOTH ENDS

- ATTACH CONVEYOR BELT OVER JOINTS (SEE BOM FOR BELT DETAILS)
- FIX RUBBER USING 45MM LONG TEK SCREWS,
USING 7 TEK SCREWS PER RUBBER STRIP

- 200 CLADDING OVERLAP, CENTERED OVER THE CENTRELINE OF THE STRUT
TYPICAL ALL CLADDING, EXCEPT OBH GATE/DOOR JOINS
- ON CURVED ENDS, WHERE CLADDING OVERLAPS,
USE LONGER TEK SCREWS.

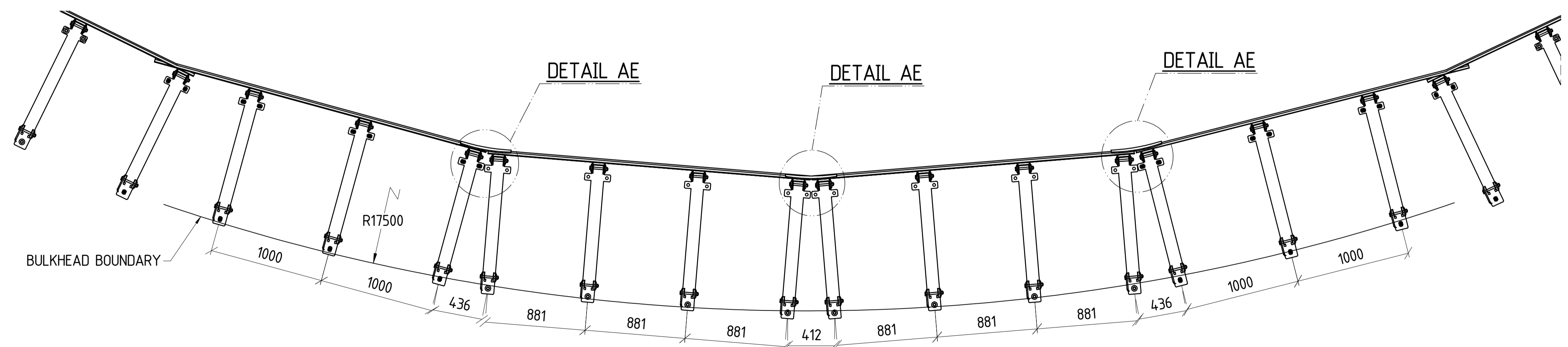
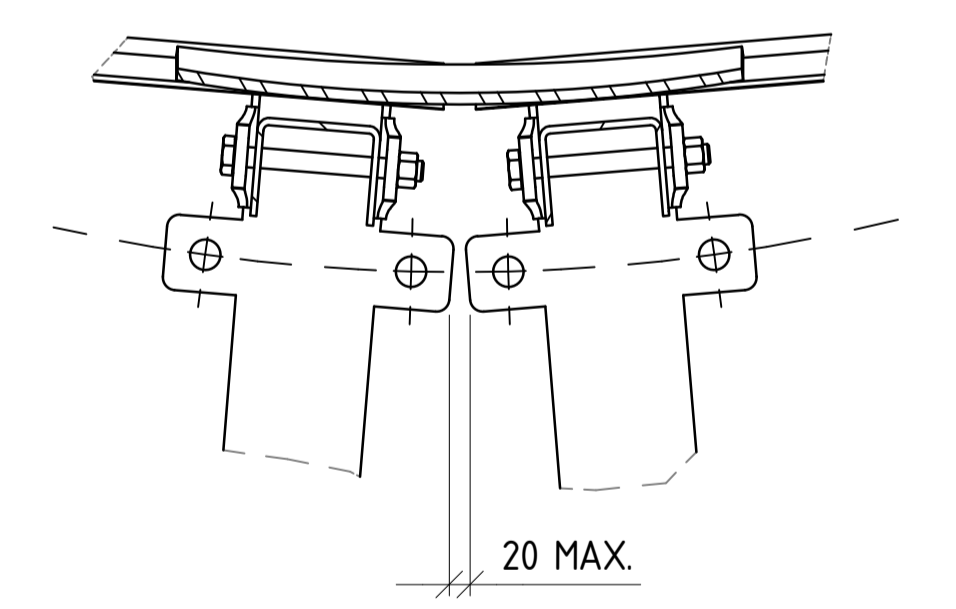
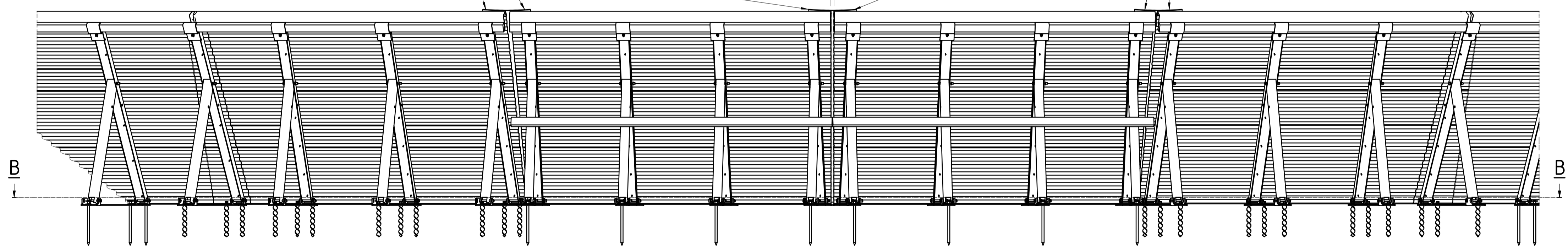


CLADDING, Z-CAPPING AND WOOD, ALL TRIMMED TO SUIT ON BOTH SIDES TO CREATE A BUTT JOIN BETWEEN THE FIXED WALL AND THE REMOVABLE GATE. REFER S119-ENG-ST-ASY-0003 FOR CLADDING TRIMMING DETAIL. MAX ALLOWABLE GAP BETWEEN BUTT JOINTS IS 20mm - TYPICAL ALL GATES

DETAIL A
FRONT END LOADER ACCESS GATES IN CURVED WALL
TYPICAL BOTH ENDS

CLADDING, Z-CAPPING AND WOOD, ALL TRIMMED TO SUIT ON BOTH SIDES TO CREATE A BUTT JOIN BETWEEN THE FIXED WALL AND THE REMOVABLE GATE. REFER S119-ENG-ST-ASY-0003 FOR CLADDING TRIMMING DETAIL. MAX ALLOWABLE GAP BETWEEN BUTT JOINTS IS 20mm - TYPICAL ALL GATES

20 MAX. GAP
TYPICAL ALL ACCESS WAYS



COPYRIGHT
THIS DRAWING AND THE CONTENTS DEPICTED OR WRITTEN THEREON, WHETHER IN WHOLE OR IN PART, IS THE EXCLUSIVE INTELLECTUAL PROPERTY OF CBH GROUP AND SHOULD NOT BE USED FOR ANY PURPOSE WITHOUT THE EXPRESS WRITTEN APPROVAL OF CBH GROUP.

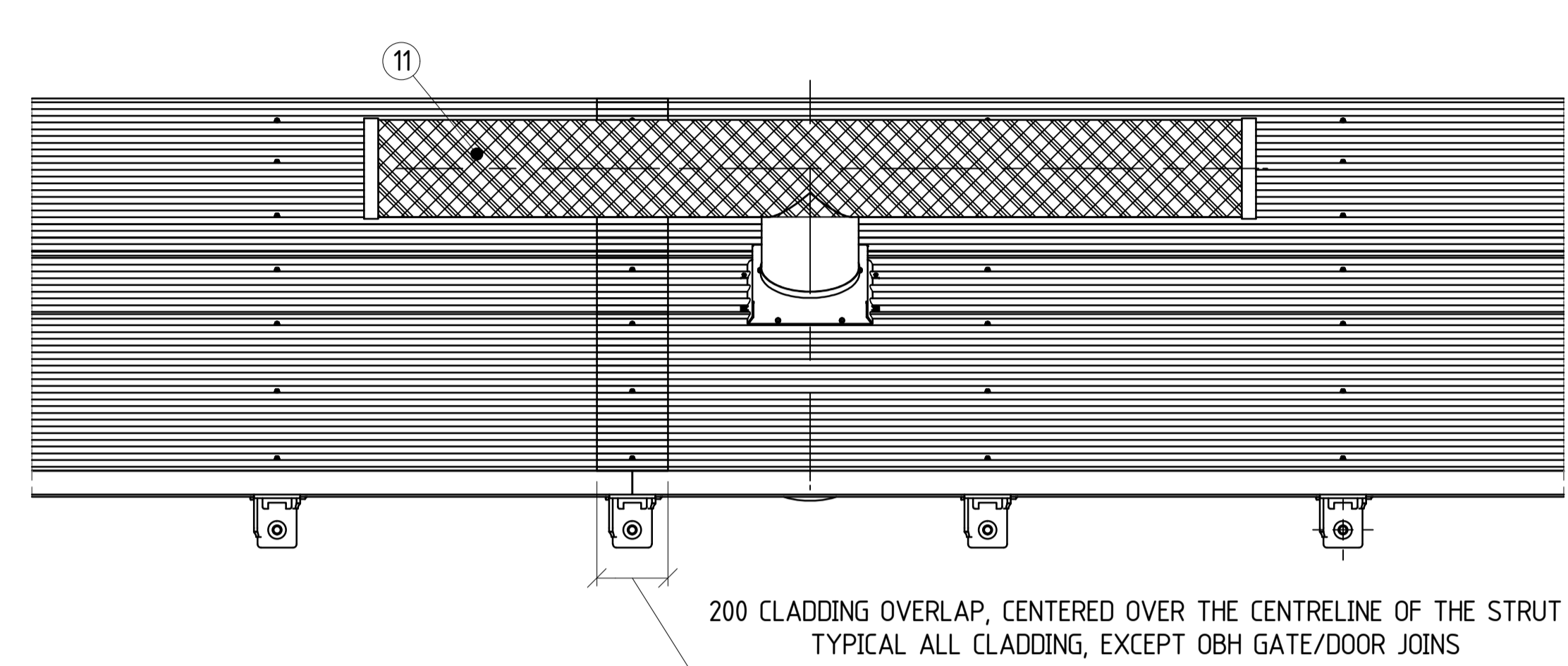
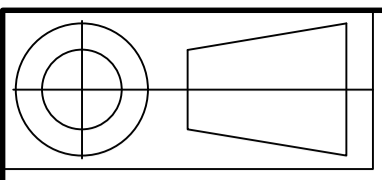
CBH GROUP HEAD OFFICE
LEVEL 6, 240 ST GEORGES TERRACE,
PERTH W.A 6000
PH (08) 9237 9600 FAX (08) 9322 3942

REF	DRG No.	REFERENCE DRAWING TITLE	REV	DATE	REVISIONS	BY	CHK	APP	REV	DATE	REVISIONS	BY	CHK	APP	APPROVED
0				10/06/2020	COPIED FROM S-119, ISSUED FOR CONSTRUCTION	SCR	LS	NH							

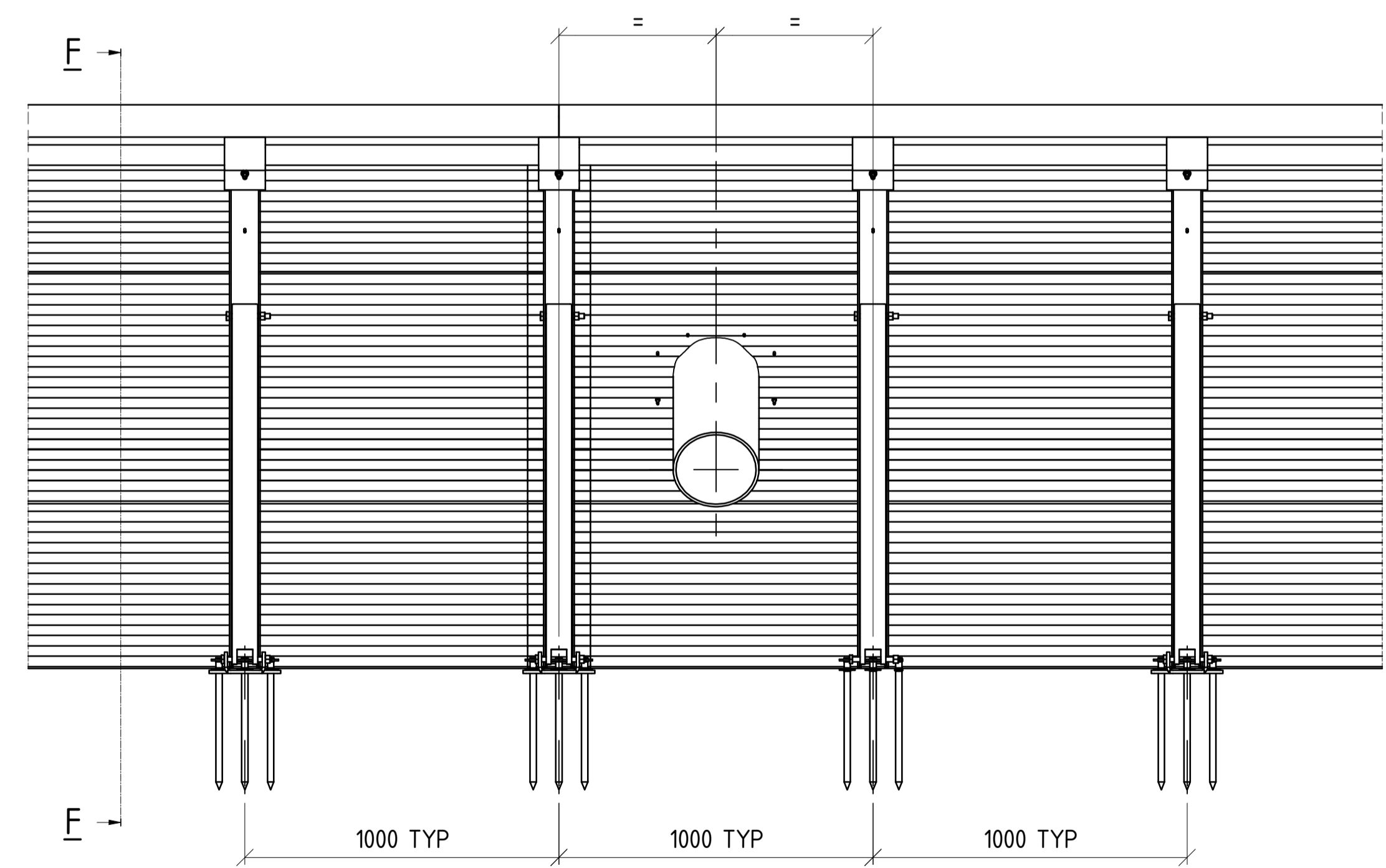
DRAWN	SCR	10/06/2020
CHECKED	LS	10/06/2020
ENGINEER	BC	11/06/2020
APPROVED	NH	11/06/2020

DRAWING TITLE	1.8m OPEN BULK HEAD GENERAL ARRANGEMENT CURVED OBH OPENING DETAIL
SITE	VARIOUS
PROJECT	STANDARD
DRAWING No	S119-ENG-ST-DGA-0003
SHEET	6 OF 9
REV.	0

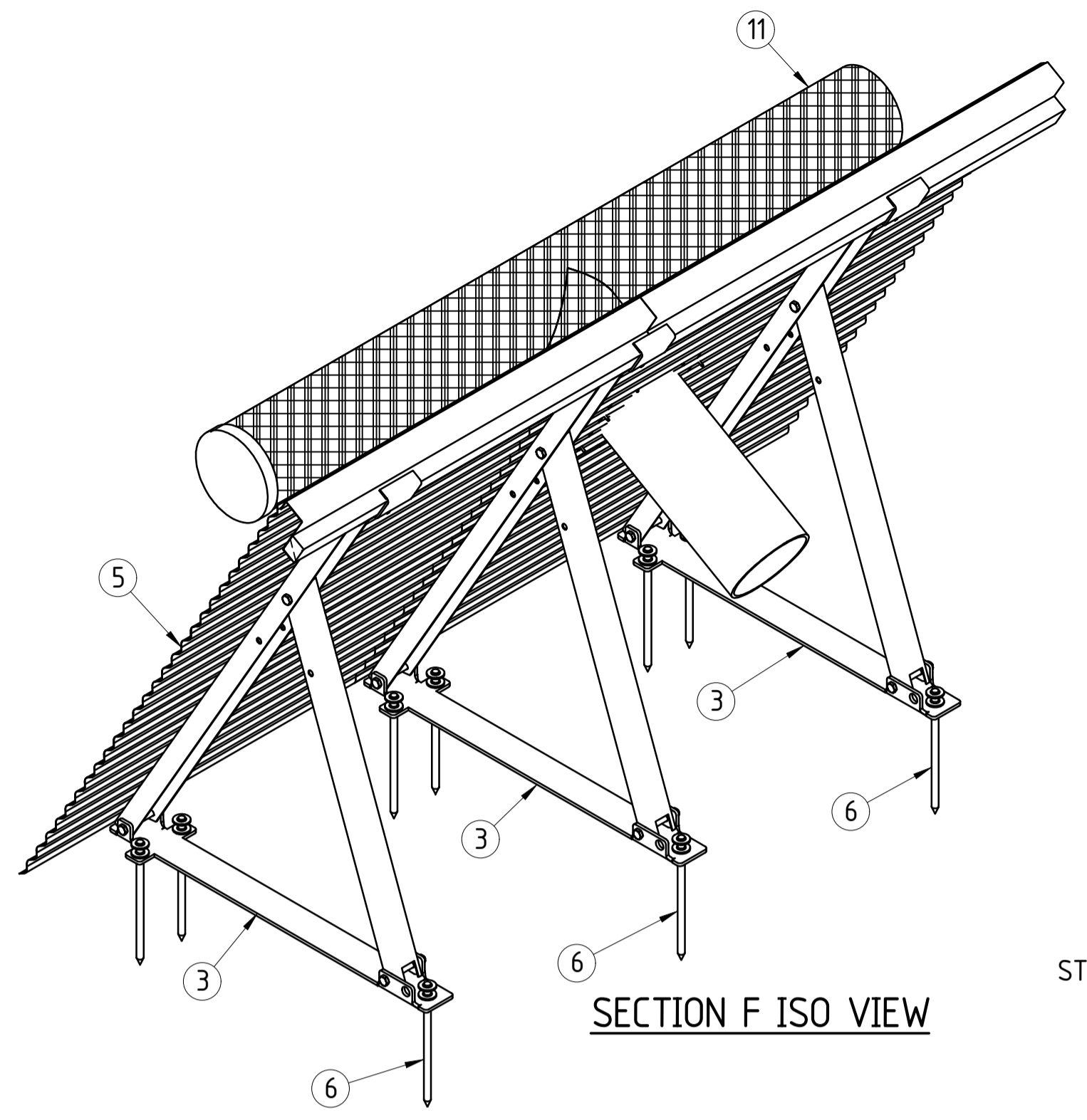
DO NOT SCALE FROM THIS DRAWING



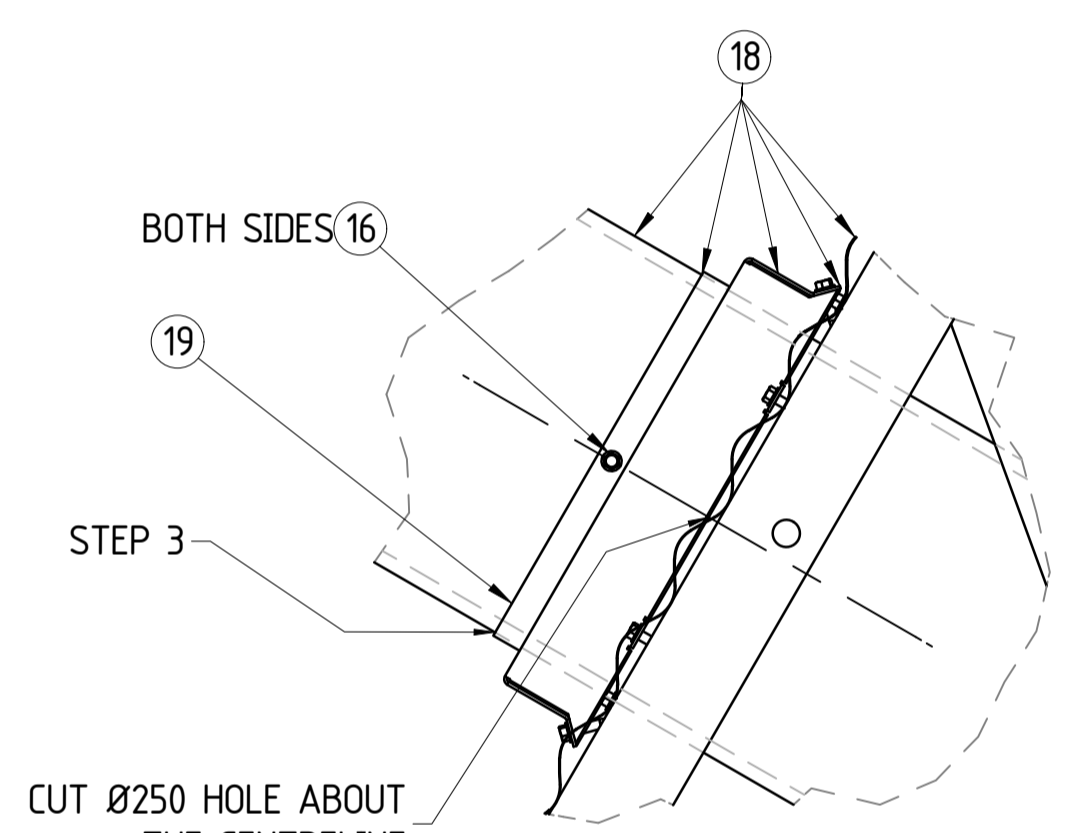
DETAIL B
'T' PIECE INSTALLATION DETAIL



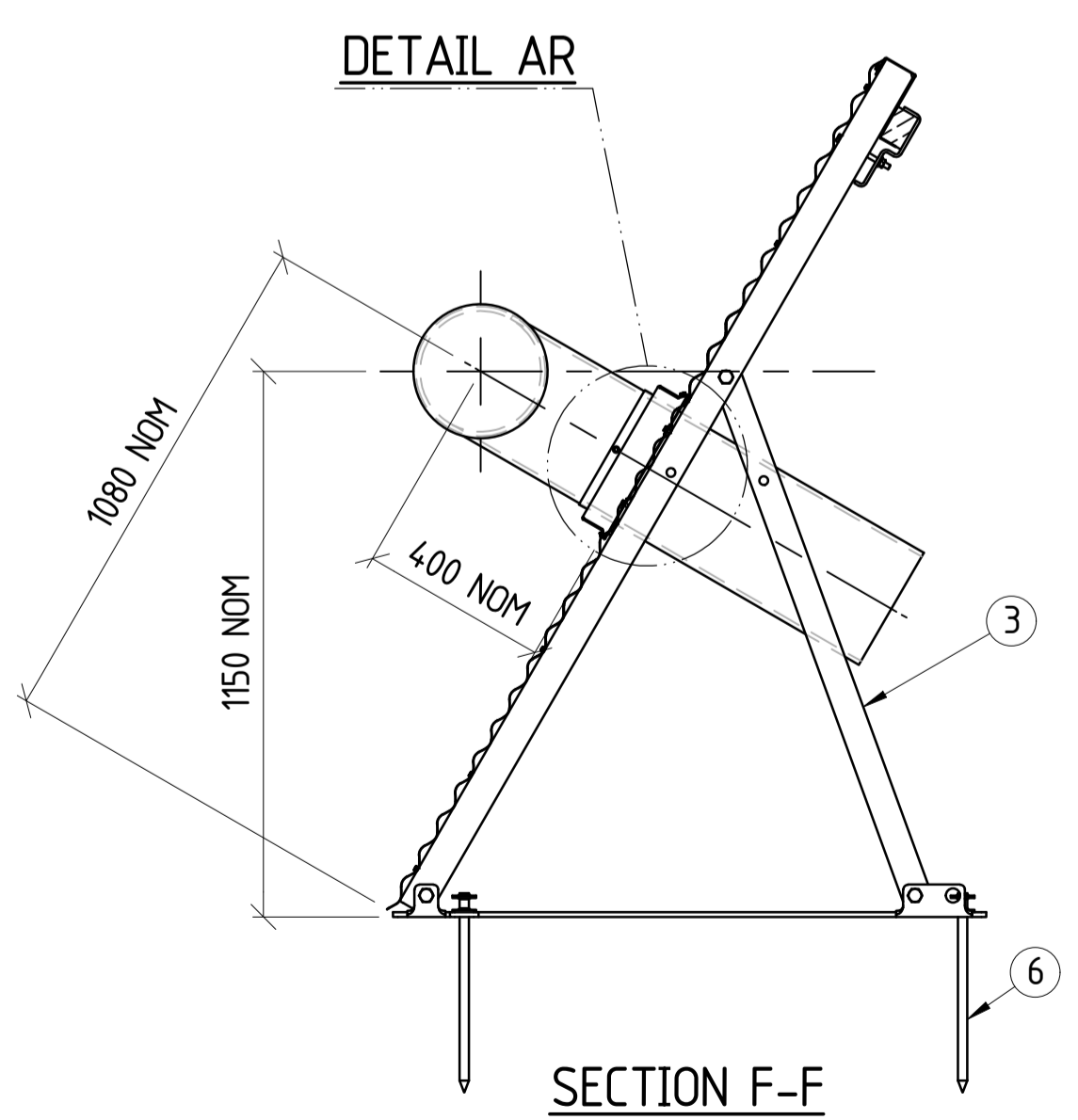
ELEVATION



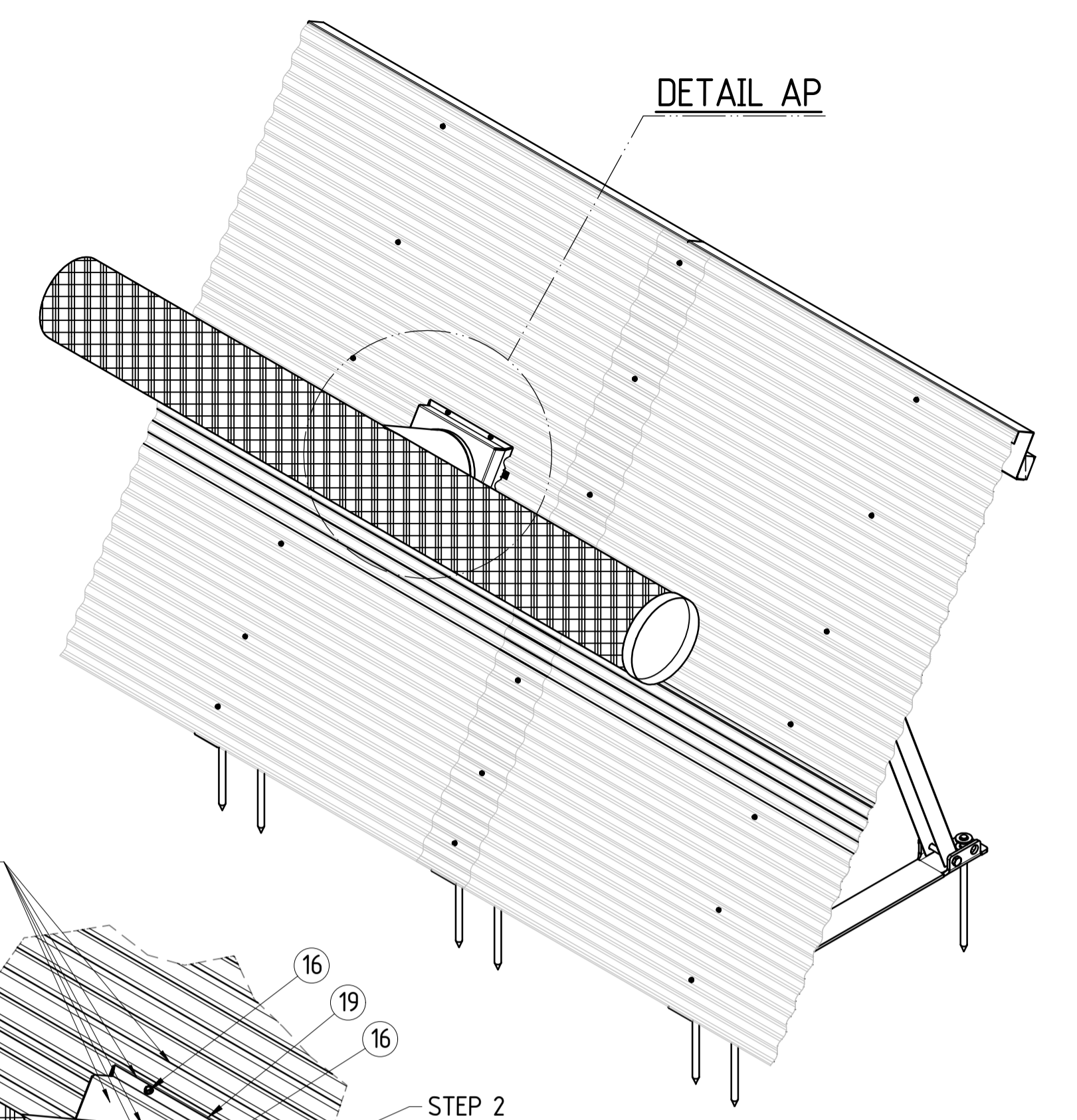
SECTION F ISO VIEW



DETAIL AR



SECTION F-F



DETAIL AP

BACKGROUND:


- THE 'T' PIECE IS USED TO PUMP HAZARDOUS FUMIGANT INTO THE STORAGE AFTER IT IS FULLY SEALED. CARE MUST BE TAKEN WHEN INSTALLING THE 'T' PIECE AND APPLYING THE SEALANTS TO ENSURE THE SEAL IS APPLIED TO A HIGH QUALITY.

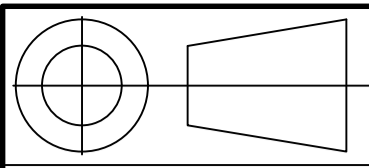
USE THE FOLLOWING QUANTITY'S PER 1 'T'PIECE

- 1 X 600ML SAUSAGE OF BOSTIK SEAL AND FLEX 1
- 1L OF NOVALAST LTM 151

PROCEDURE:

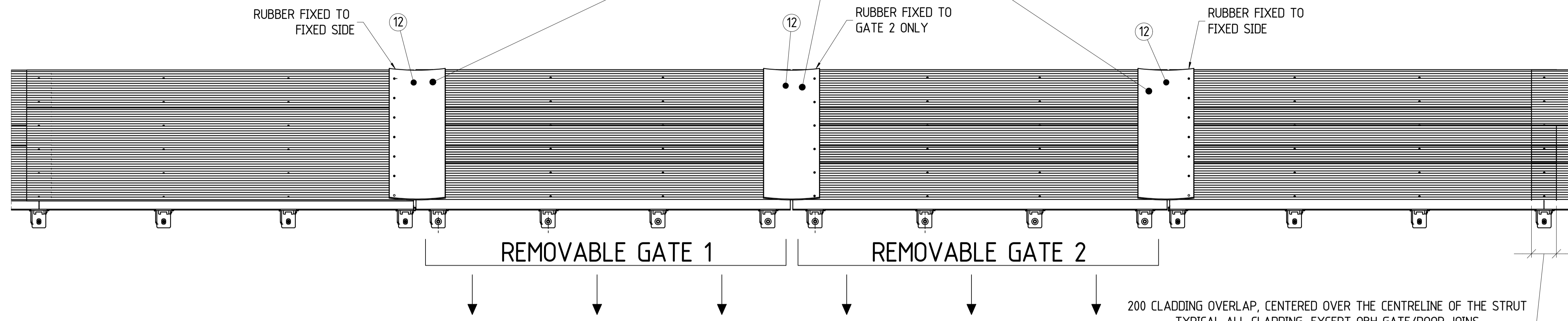
- STEP 1: PREPARE AND CLEAN SURFACES WHERE SEALANTS ARE TO BE APPLIED AS PER MANUFACTURERS SPECIFICATIONS.
- STEP 2: INITIAL COLLAR INSTALL; APPLY A THICK (5-10MM) BEAD OF 'BOSTIK SEAL N FLEX 1' TO ALL EDGES OF THE T-PIECE MOUNTING COLLAR WHICH WILL CONTACT THE CORRUGATED CLADDING. TEK SCREW T-PIECE MOUNT (WITH BOSTIK SEALANT APPLIED) TO THE CLADDING USING 8 TEK SCREWS, EVENLY SPACED AROUND THE T-PIECE MOUNTING COLLAR.
- STEP 3: INSERT T-PIECE INTO THE T-PIECE MOUNTING COLLAR. SECURE THE T-PIECE AT THE LOCATION SHOWN, USING 2 X TEK SCREWS, THROUGH THE MOUNTING COLLAR RING. APPLY A THICK (5-10MM) BEAD OF 'BOSTIK SEAL N FLEX 1' AROUND THE JOIN AND AROUND ANY GAPS, INCLUDING AROUND THE TEK SCREWS. ALSO APPLY A THICK BEAD TO FILL THE GAP BETWEEN THE CLADDING AND THE T-PIECE, ON THE OUTSIDE OF THE BULKHEAD.
- STEP 4: LET SEALANT DRY AS PER MANUFACTURER'S DIRECTIONS.
- STEP 5: APPLY A SECOND THICK (5-10MM) BEAD OF 'BOSTIK SEAL N FLEX 1' AROUND ALL JOINS BETWEEN THE T-PIECE MOUNTING COLLAR, THE T-PIECE AND THE CLADDING.
- STEP 6: LET SEALANT DRY AS PER MANUFACTURER'S DIRECTIONS.
- STEP 7: PAINT THE ENTIRE T-PIECE MOUNTING COLLAR AND 150MM OF CLADDING AROUND THE COLLAR. ALSO PAINT 150MM OF THE T-PIECE, PAST THE COLLAR RING JOIN. PAINT WITH 'NOVALAST 151 LTM'
- STEP 8: LET SEALANT DRY AS PER MANUFACTURER'S DIRECTIONS.

<small>COPYRIGHT THIS DRAWING AND THE CONTENTS DEPICTED OR WRITTEN THEREON, WHETHER IN WHOLE OR IN PART, IS THE EXCLUSIVE INTELLECTUAL PROPERTY OF CBH GROUP AND SHOULD NOT BE USED FOR ANY PURPOSE WITHOUT THE EXPRESS WRITTEN APPROVAL OF CBH GROUP.</small> 	CBH GROUP HEAD OFFICE LEVEL 6, 240 ST GEORGES TERRACE, PERTH W.A 6000 PH (08) 9237 9600 FAX (08) 9322 3942											DRAWN SCR 10/06/2020 CHECKED LS 10/06/2020 ENGINEER BC 11/06/2020 APPROVED NH 11/06/2020	DRAWING TITLE 1.8m OPEN BULK HEAD GENERAL ARRANGEMENT 'T' PIECE DETAIL	SITE VARIOUS	PROJECT STANDARD	DRAWING No S119-ENG-ST-DGA-0003	SHEET 7 OF 9	REV. 0		
	DO NOT SCALE FROM THIS DRAWING	REF DRG No.	REFERENCE DRAWING TITLE	REV	DATE	REVISIONS	BY	CHK	APP	REV	DATE	REVISIONS	BY	CHK	APP	APPROVED	SITE VARIOUS	PROJECT STANDARD	DRAWING No S119-ENG-ST-DGA-0003	SHEET 7 OF 9



TYPICAL RUBBER FIXINGS, BOTH ENDS

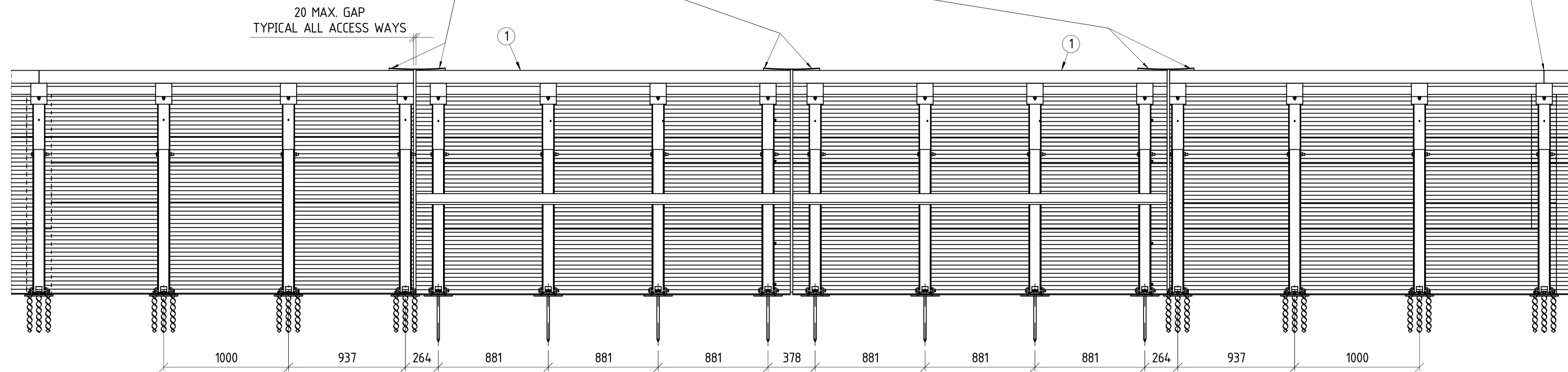
- ATTACH CONVEYOR BELT OVER JOINTS (SEE BOM FOR BELT DETAILS)
- FIX RUBBER USING 45MM LONG TEK SCREWS, USING 7 TEK SCREWS PER RUBBER STRIP



**DETAIL C
FRONT END LOADER ACCESS GATES IN STRAIGHT WALL
TYPICAL BOTH SIDES**

CLADDING, Z-CAPPING AND WOOD, ALL TRIMMED TO SUIT ON BOTH SIDES TO CREATE A BUTT JOIN BETWEEN THE FIXED WALL AND THE REMOVABLE GATE. REFER S119-END-ST-ASY-0003 FOR CLADDING TRIMMING DETAIL. MAX ALLOWABLE GAP BETWEEN BUTT JOINTS IS 20MM - TYPICAL ALL GATES

Z-CAPPING MUST BE NEATLY BUTT JOINED AND ALIGNED IN ALL DIRECTIONS TO ENSURE THAT THERE ARE NO SHARP EDGES WHICH COULD PUNCTURE THE OBH TARP. MAX MISALIGNMENT OF 2MM IN ALL DIRECTIONS. TYPICAL ALL JOINTS EXCEPT AT OBH DOOR/GATE JOINTS.



ELEVATION

COPYRIGHT
THIS DRAWING AND THE
CONTENTS DEPICTED OR WRITTEN
THEREON, WHETHER IN WHOLE OR IN
PART, IS THE EXCLUSIVE INTELLECTUAL
PROPERTY OF CBH GROUP AND
SHOULD NOT BE USED FOR ANY PURPOSE
WITHOUT THE EXPRESS WRITTEN
APPROVAL OF CBH GROUP.



CBH GROUP HEAD OFFICE
LEVEL 6, 240 ST GEORGES TERRACE,
PERTH W.A 6000
PH (08) 9237 9600 FAX (08) 9322 3942

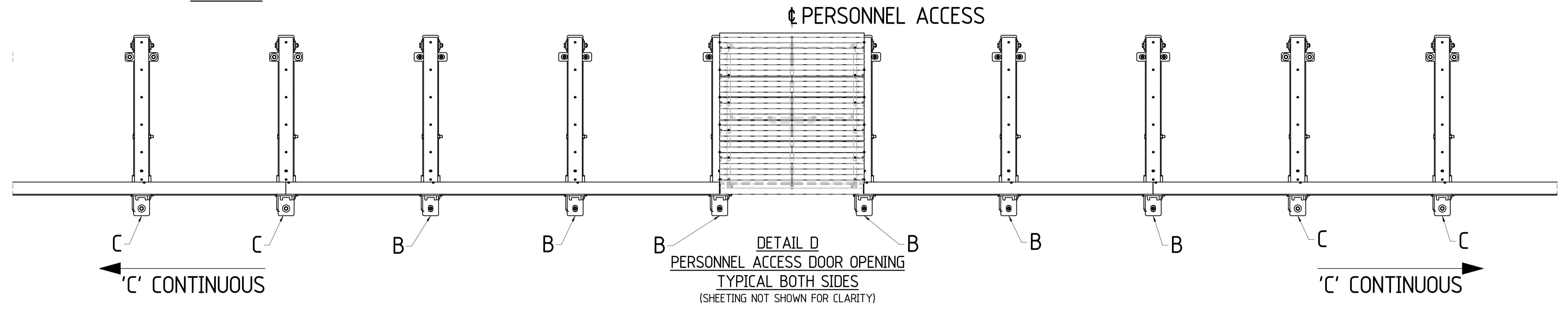
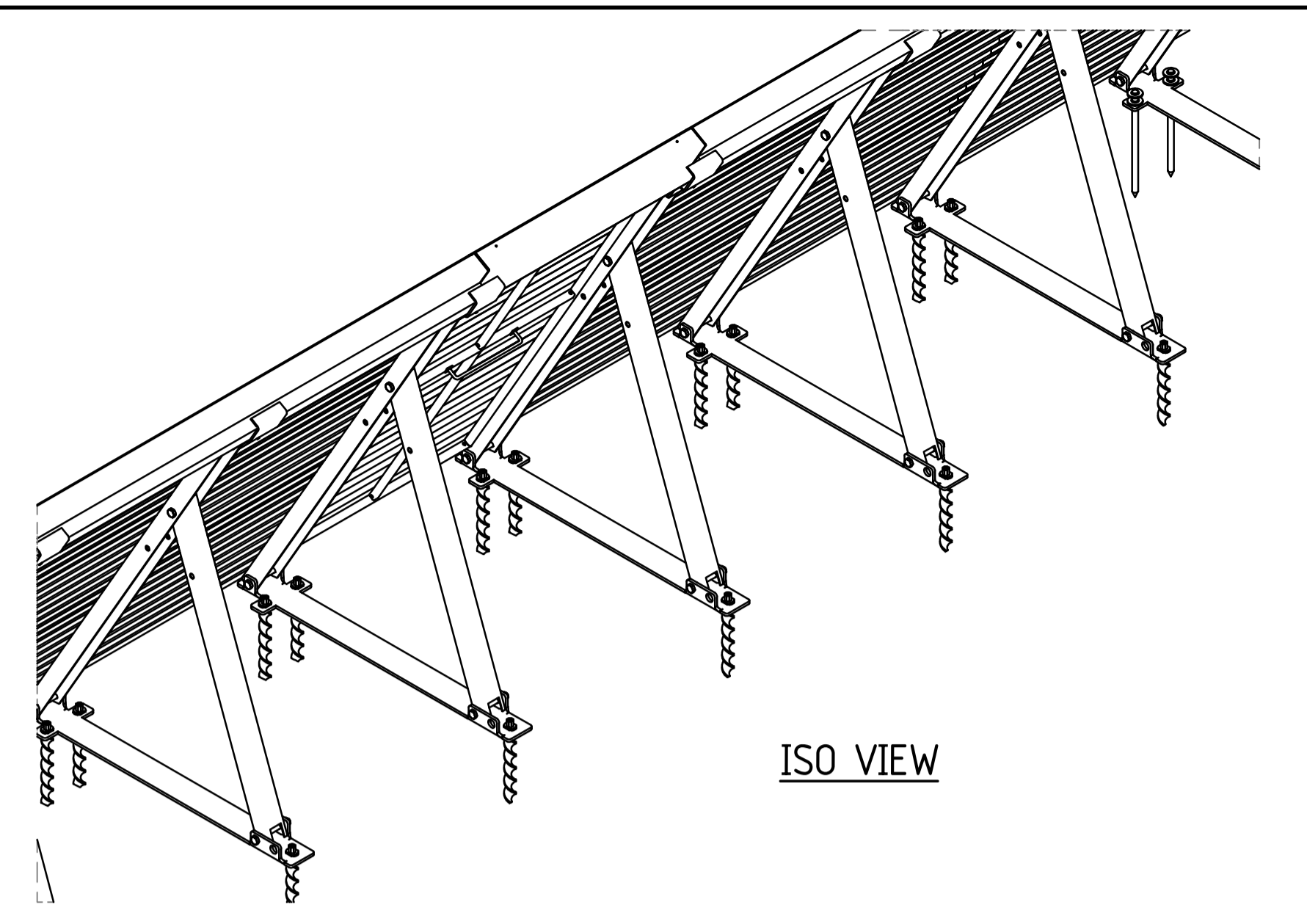
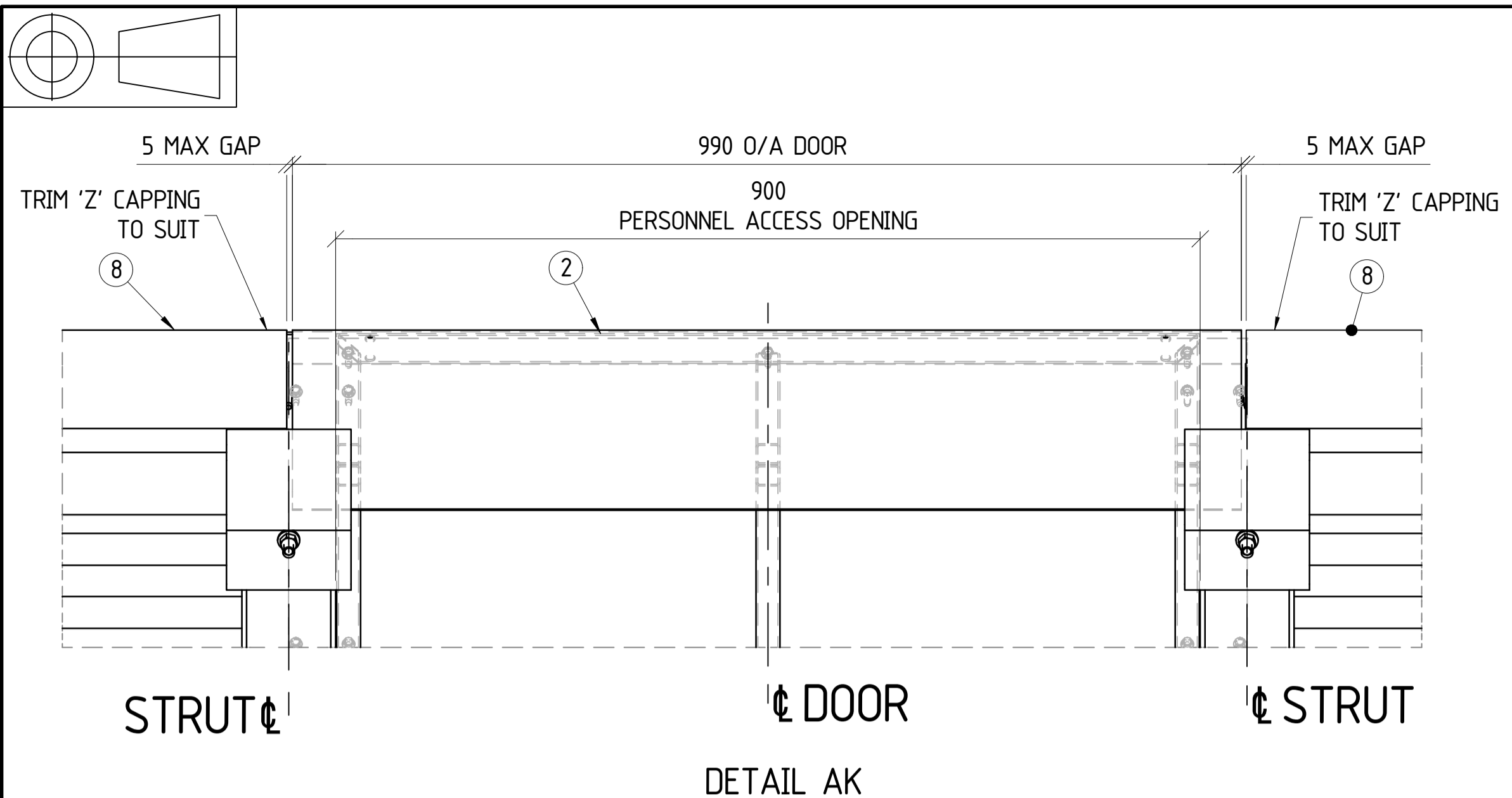
DO NOT SCALE FROM THIS DRAWING

REF DRG No.	REFERENCE DRAWING TITLE	REV	DATE	REVISIONS	BY	CHK	APP	REV	DATE	REVISIONS	BY	CHK	APP	APPROVED
		0	10/06/2020	COPIED FROM S-119, ISSUED FOR CONSTRUCTION	SCR	LS	NH							

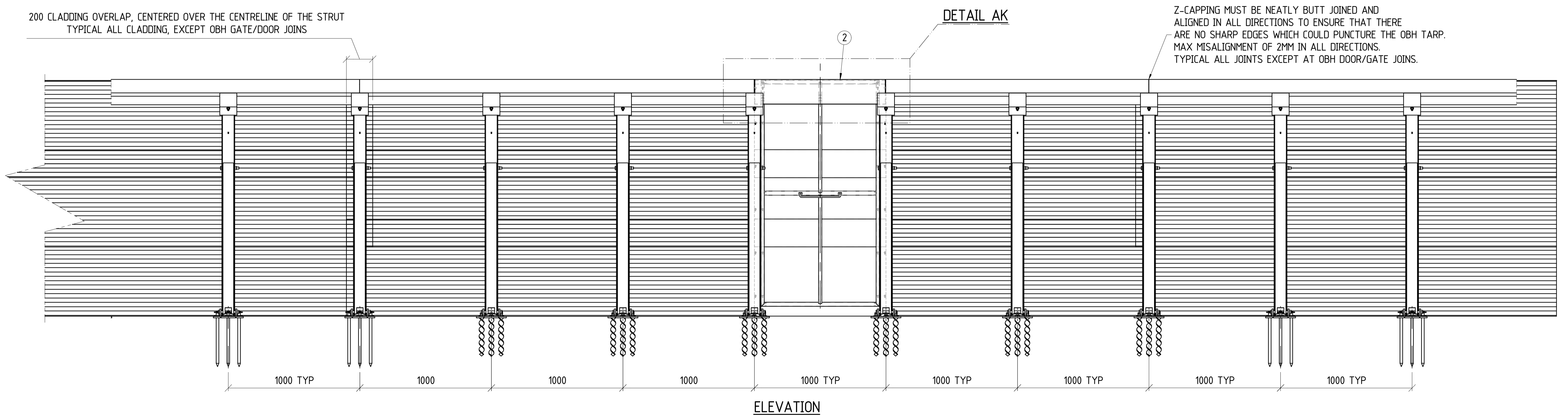
DRAWN	SCR	10/06/2020
CHECKED	LS	10/06/2020
ENGINEER	BC	11/06/2020
APPROVED	NH	11/06/2020

DRAWING TITLE
**1.8m OPEN BULK HEAD
GENERAL ARRANGEMENT
STRAIGHT OBH OPENING DETAIL**

SITE	VARIOUS	SIZE	A1
PROJECT	STANDARD		
DRAWING No	S119-ENG-ST-DGA-0003	SHEET	8 OF 9
REV.			0



200 CLADDING OVERLAP, CENTERED OVER THE CENTRELINE OF THE STRUT
TYPICAL ALL CLADDING, EXCEPT OBH GATE/DOOR JOINS



Z-CAPPING MUST BE NEATLY BUTT JOINED AND ALIGNED IN ALL DIRECTIONS TO ENSURE THAT THERE ARE NO SHARP EDGES WHICH COULD PUNCTURE THE OBH TARP. MAX MISALIGNMENT OF 2MM IN ALL DIRECTIONS. TYPICAL ALL JOINTS EXCEPT AT OBH DOOR/GATE JOINS.

COPYRIGHT THIS DRAWING AND THE CONTENTS DEPICTED OR WRITTEN THEREON, WHETHER IN WHOLE OR IN PART, IS THE EXCLUSIVE INTELLECTUAL PROPERTY OF CBH GROUP AND SHOULD NOT BE USED FOR ANY PURPOSE WITHOUT THE EXPRESS WRITTEN APPROVAL OF CBH GROUP.		CBH GROUP HEAD OFFICE LEVEL 6, 240 ST GEORGES TERRACE, PERTH W.A 6000 PH (08) 9237 9600 FAX (08) 9322 3942										DRAWN SCR 10/06/2020	DRAWING TITLE 1.8m OPEN BULK HEAD GENERAL ARRANGEMENT PERSONELL ACCESS DOOR DETAIL	SITE VARIOUS	SIZE A1											
												CHECKED LS 10/06/2020		PROJECT STANDARD												
												ENGINEER BC 11/06/2020		DRAWING No S119-ENG-ST-DGA-0003	SHEET 9 OF 9	REV. 0										
DO NOT SCALE FROM THIS DRAWING										REF DRG No.	REFERENCE DRAWING TITLE	REV	DATE	REVISIONS	BY	CHK	APP	REV	DATE	REVISIONS	BY	CHK	APP	APPROVED NH 11/06/2020		